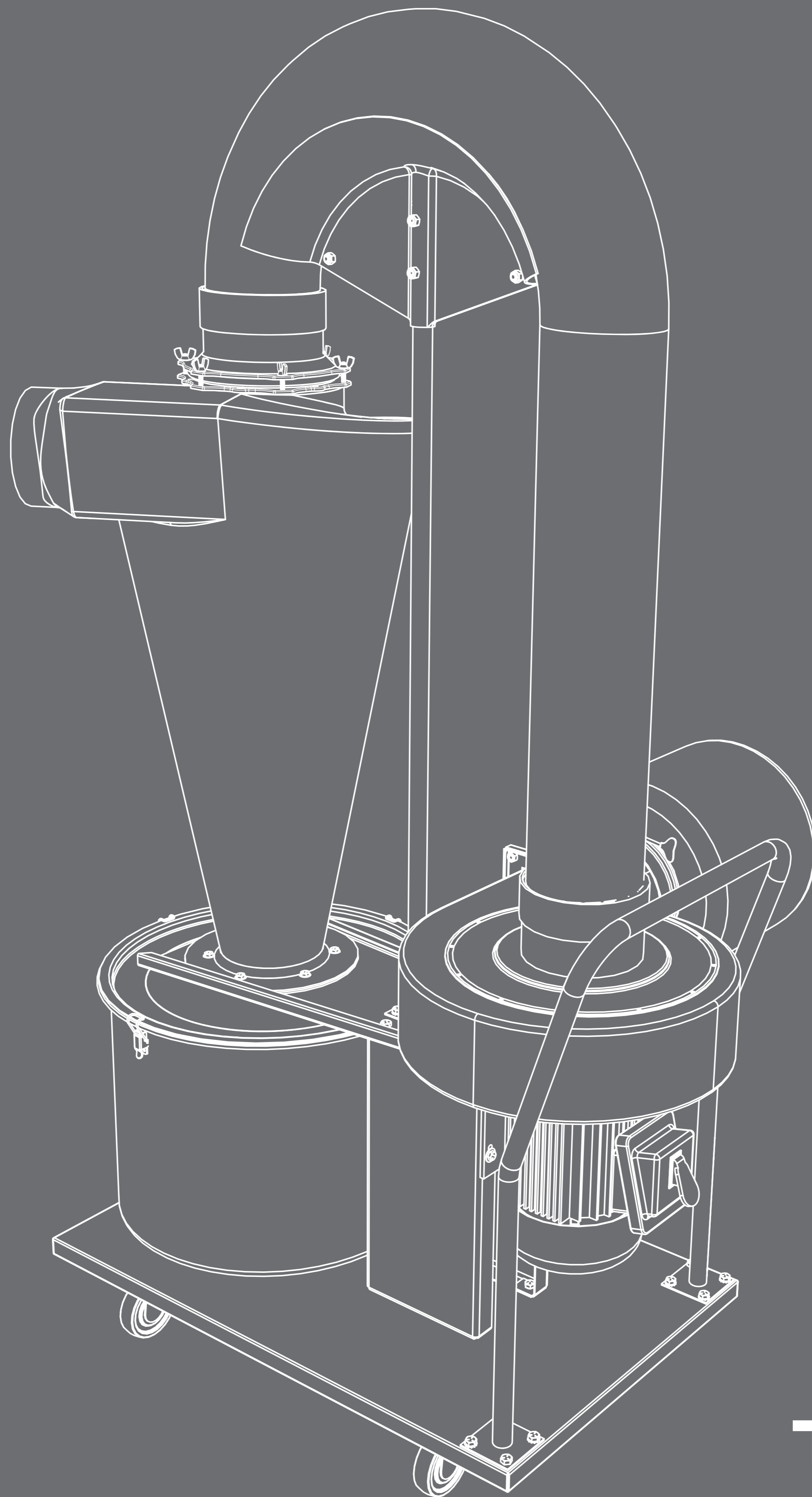


Trim Saver[®]

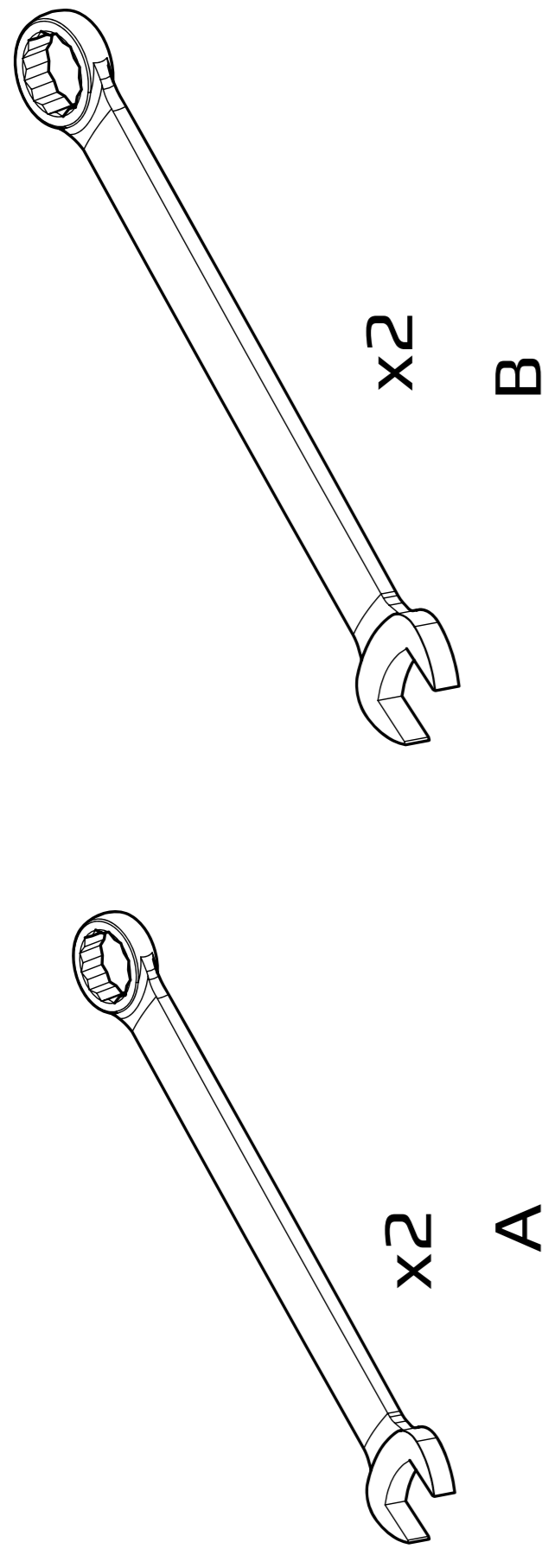
Assembly Instructions

CS-18 Manual

Version 2.3

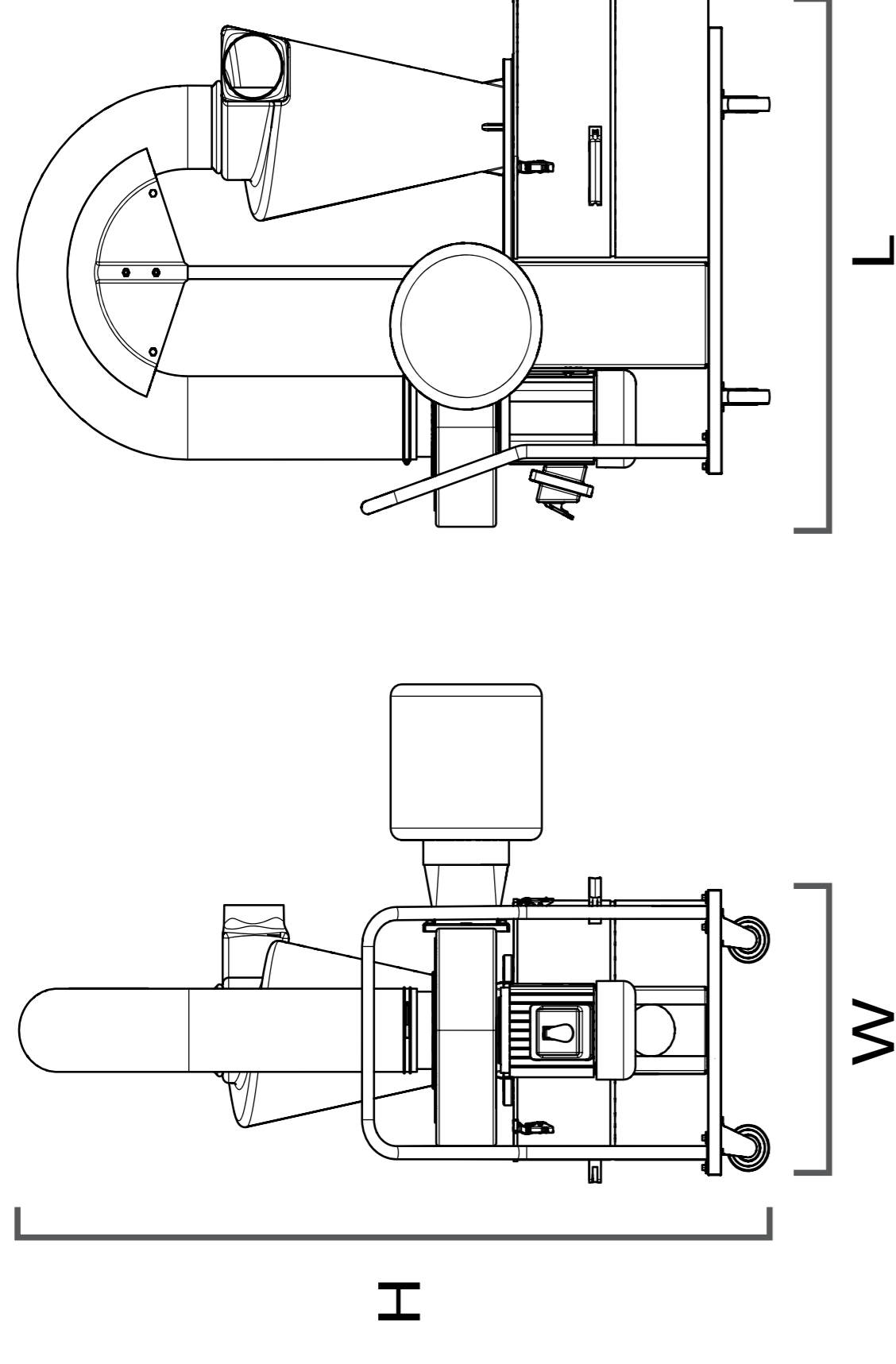


TOOLS NEEDED



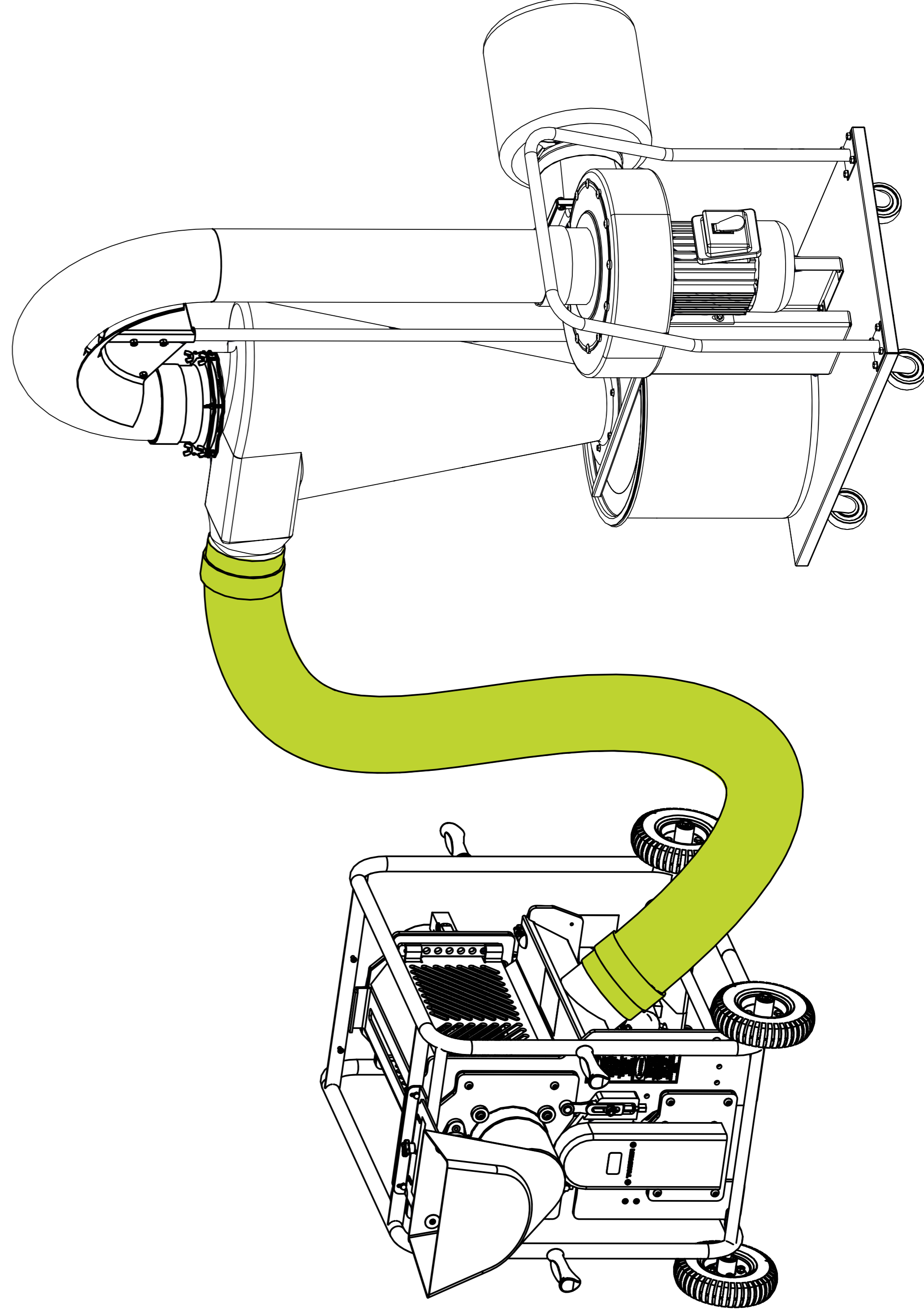
REF	DESCRIPTION	
A	7/16 Inch Wrench	2
B	1/2 Inch Wrench	2

DIMENSIONS



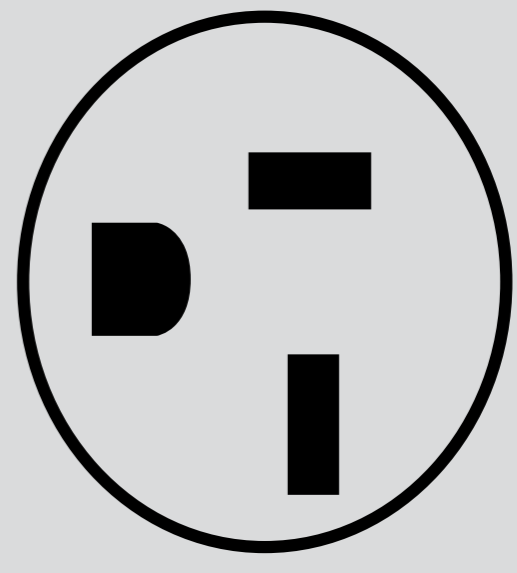
Length	CS-18
	39in / 99cm
Width	22in / 55.8cm
Height	72in / 183cm

TWISTER T2 LEAF TRIMMER HOSE INSTALLATION

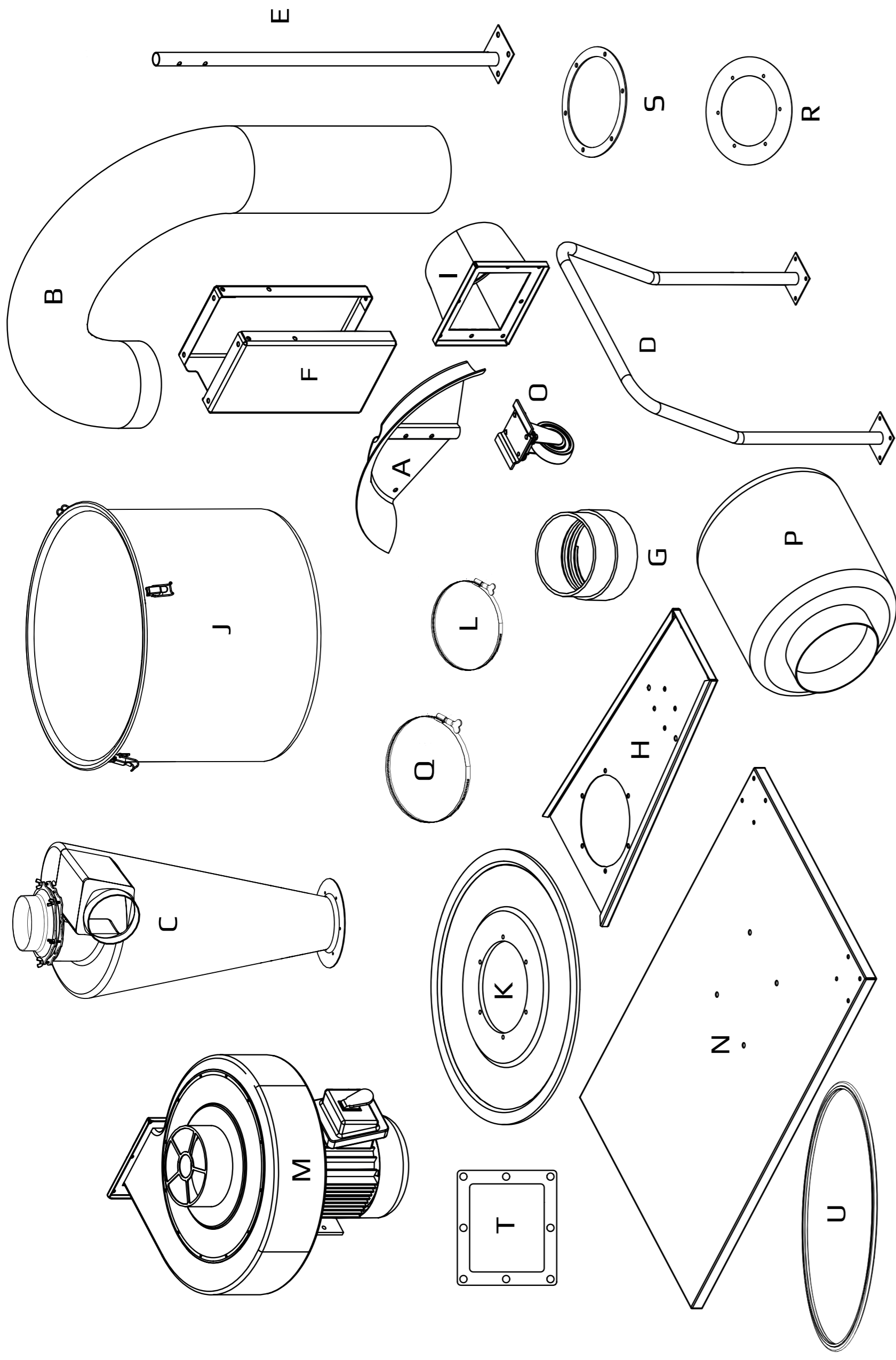


ELECTRICAL SPECIFICATION

Motor	CS-18
	3 HP
Input Voltage	240V
Circuit Breaker	20A
Amps (running)	15A
Amps (startup)	49A
Power Cord	AWG 12-3
Weight	170lbs/77kg
Airflow Capacity	1700 CFM
Static Pressure	10in of H2O
Impeller Inlet	12.75in / 32.4cm
	6in / 15.3cm

Connector (plug)	CS-18
	NEMA 6-20P
	
Additional Requirements	
Extension Cord	12-3 AWG (minimum AWG size)
	15m / 50ft max Length

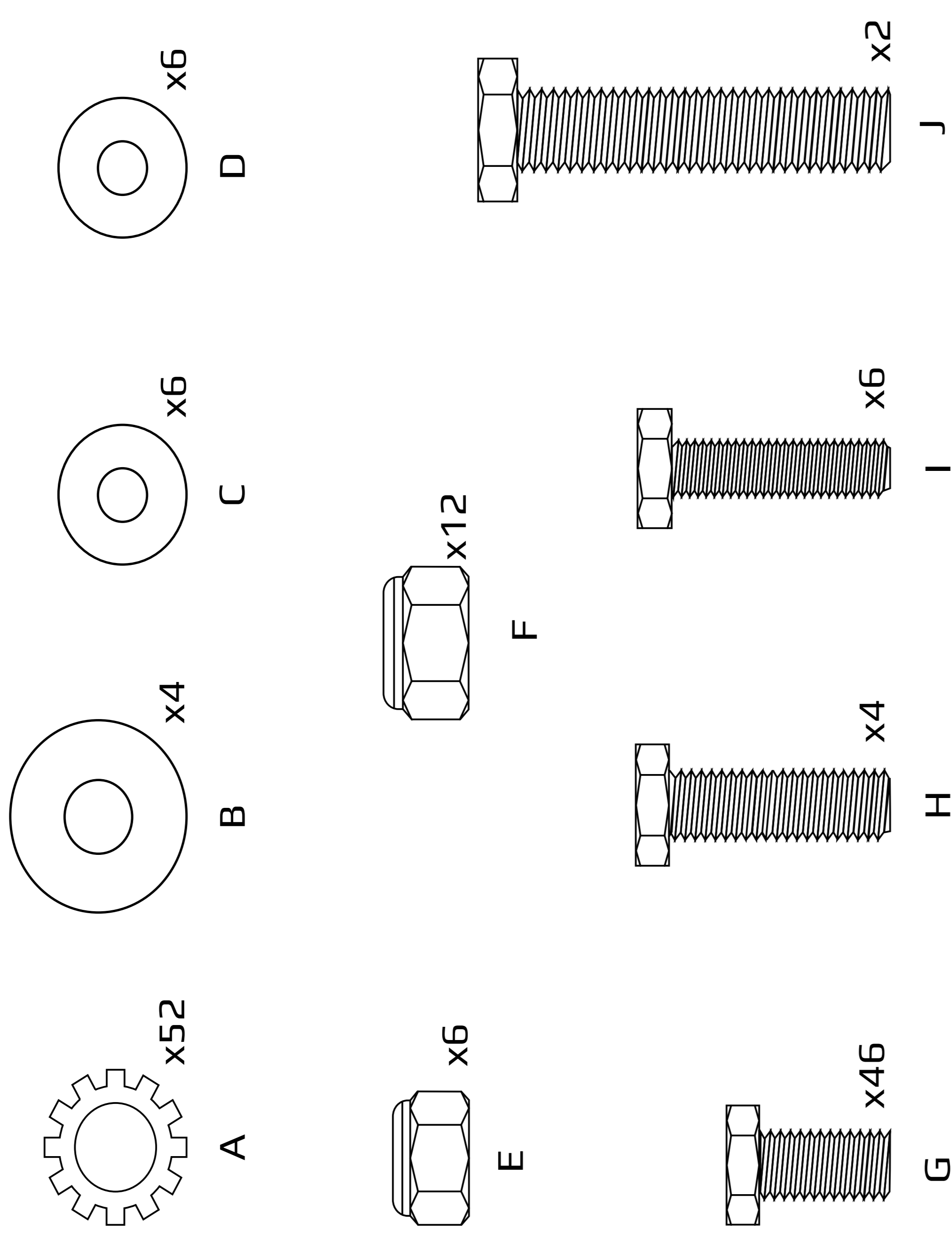
COMPONENT PARTS



REF	PART NO	DESCRIPTION	QTY
A	23-0198-00	HOSE SADDLE	2
B	23-0199-00	6 INCH HOSE	2
C	23-0203-01	VACUUM SEPARATOR XL	1
D	23-0204-00	CART HANDLE	1
E	23-0231-00	SADDLE SUPPORT CS-18	1
F	23-0206-00	MOTOR SUPPORT	1
G	23-0132-00	HOSE CUFF, 6 INCH	4
H	23-0208-00	LID HOLDER	1
I	23-0209-00	FILTER ADAPTER	1
J	23-0210-00	STAINLESS BIN	1
K	23-0211-00	STAINLESS BIN LID	1
L	23-01-001152	HOSE CLAMP, 6 INCH	2
M	23-0214-00	3HP VACUUM MOTOR	1
N	23-0215-00	BASE PLATE	1
O	23-0146-00	CASTER	4
P	23-0217-00	FILTER BAG	1
Q	23-0218-00	FILTER CLAMP	1
R	23-0240-00	SEPARATOR GASKET, 10"	1
S	23-0241-00	SEPARATOR GASKET, 8"	1
T	23-0230-00	FILTER ADAPTER GASKET	1
U	23-0244-00	STAINLESS BIN LID GASKET	1

FASTENERS

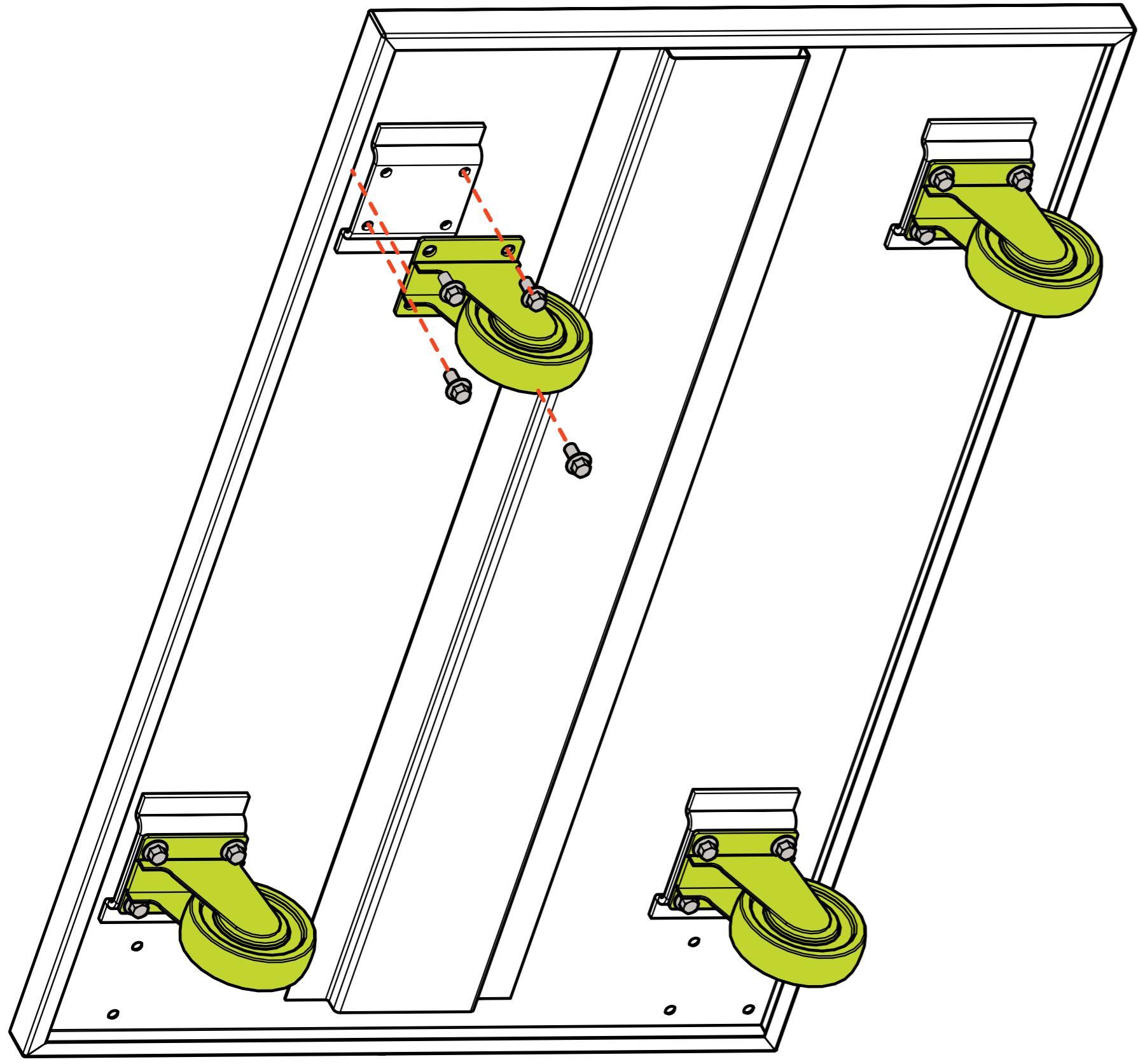
KEEP FASTENERS IN LABELLED BAGS, ASSEMBLY INSTRUCTIONS DESCRIBE WHERE EACH PACKAGE IS USED.



REF	PART NO	DESCRIPTION	QTY
A	13-02-000411	5/16 Lock Washer	52
B	13-0018-00	5/16 Flat Washer	4
C	13-02-000014	1/4 Flat Washer	6
D	23-0248-00	1/4 Silicone Washer	6
E	13-0062-00	1/4-20 Nut	6
F	13-0064-00	5/16-18 Nyloc Nut	12
G	13-08-516158	5/16-18 x 5/8" Hex Head Bolt	46
H	13-08-516110	5/16-18 x 1" Hex Head Bolt	4
I	13-08-142110	1/4-20 x1" Hex Head Bolt	6
J	13-08-516115	5/16-18 x 1.5" Hex Head Bolt	2

FASTENER BAG "A"

1

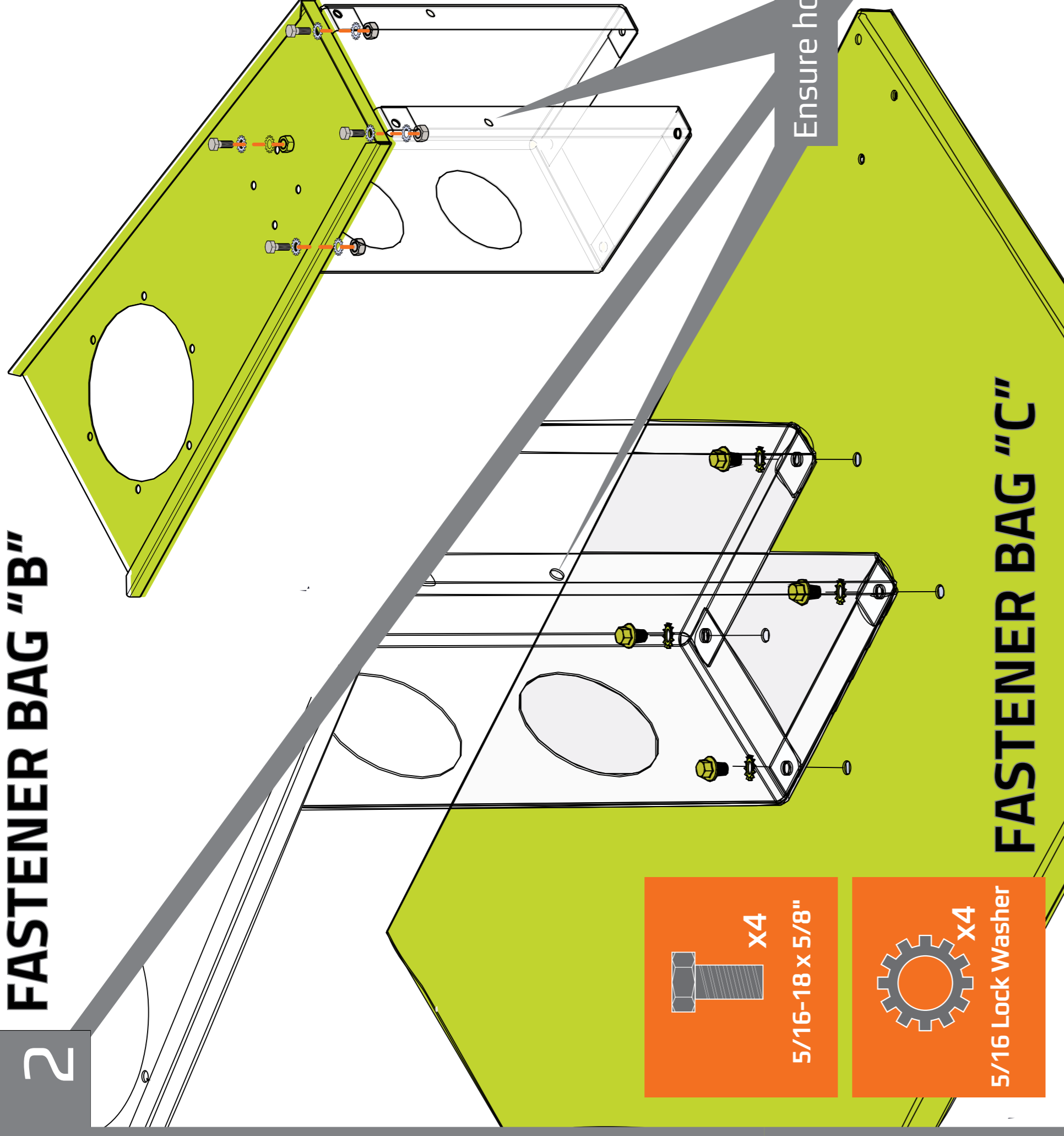


x16
5/16-18 x 5/8"

x16
5/16 Star Lock Washer

FASTENER BAG "B"

2



Ensure holes are on this side

x4
5/16-18 x 5/8"

x8
5/16 Star Lock Washer

x4
5/16 Nyloc Nut

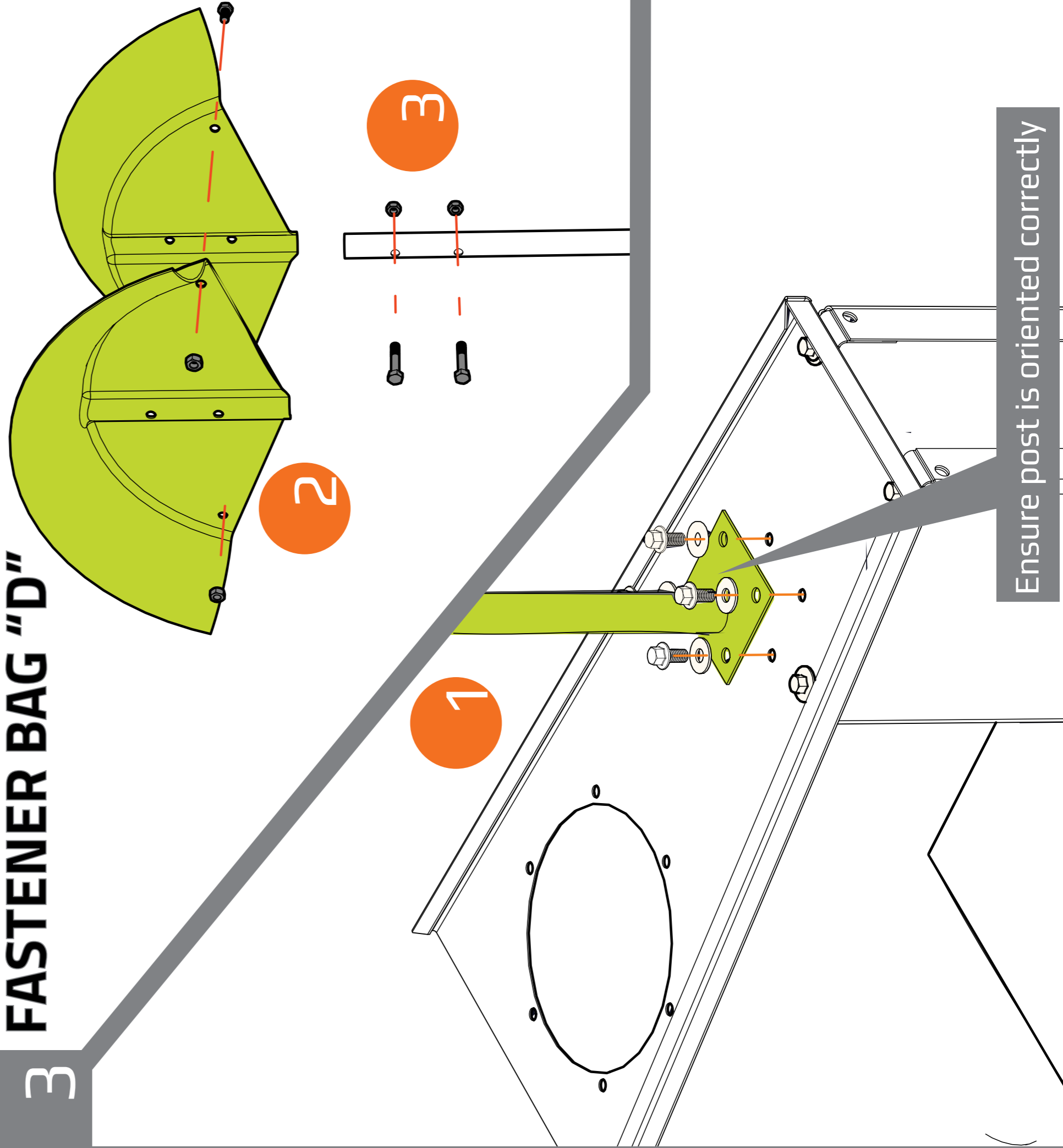
x4
5/16-18 x 5/8"

x4
5/16 Lock Washer

FASTENER BAG "C"

FASTENER BAG "D"

3



Ensure post is oriented correctly

x2
5/16-18 x 5/8"

x2
5/16-1.5" Bolt

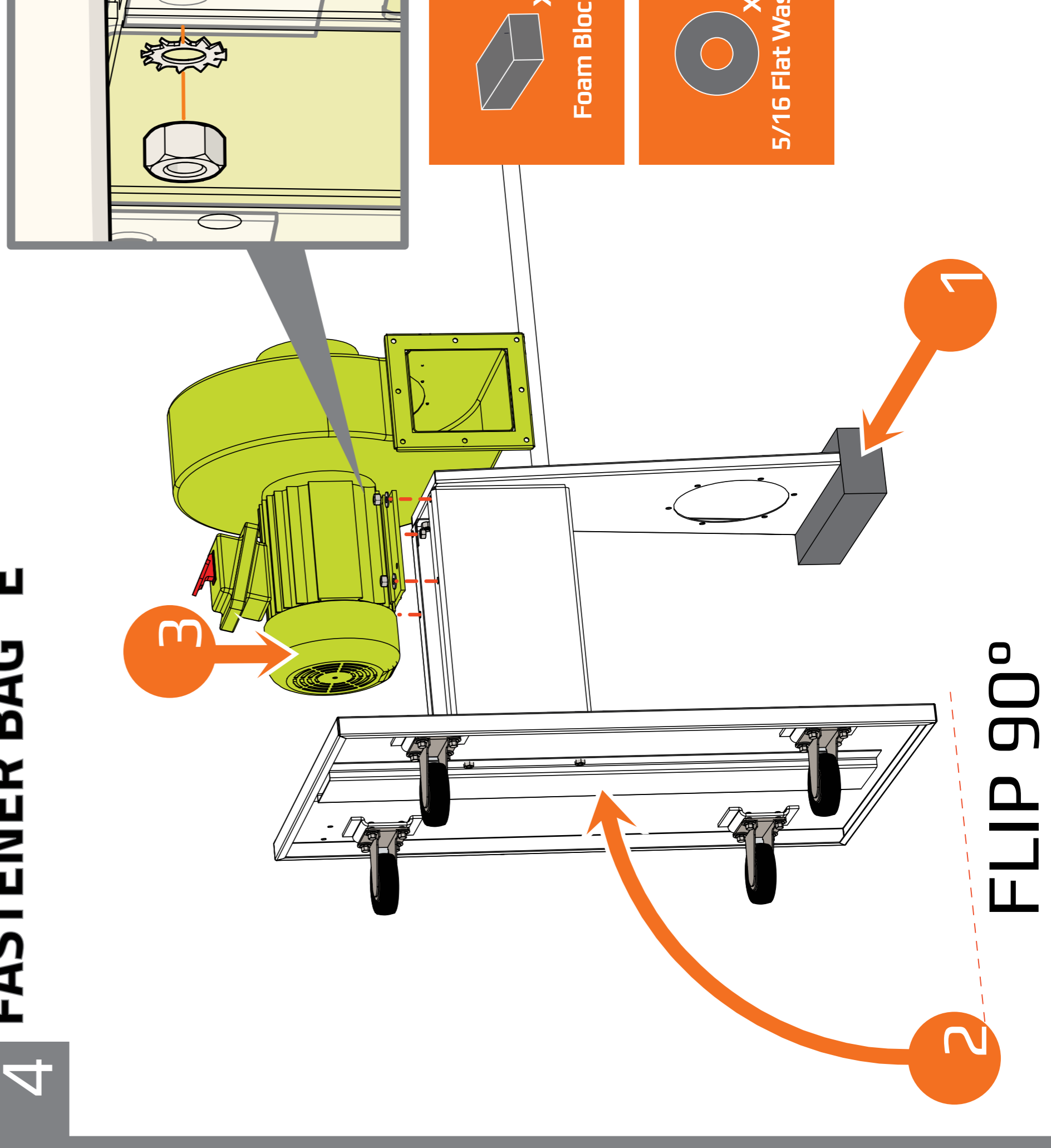
x4
5/16 Nyloc Nut

x4
5/16-18 x 5/8"

x4
5/16 Lock Washer

FASTENER BAG "E"

4



FLIP 90°

x1
Foam Block

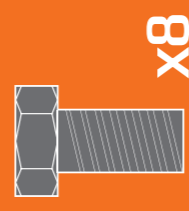
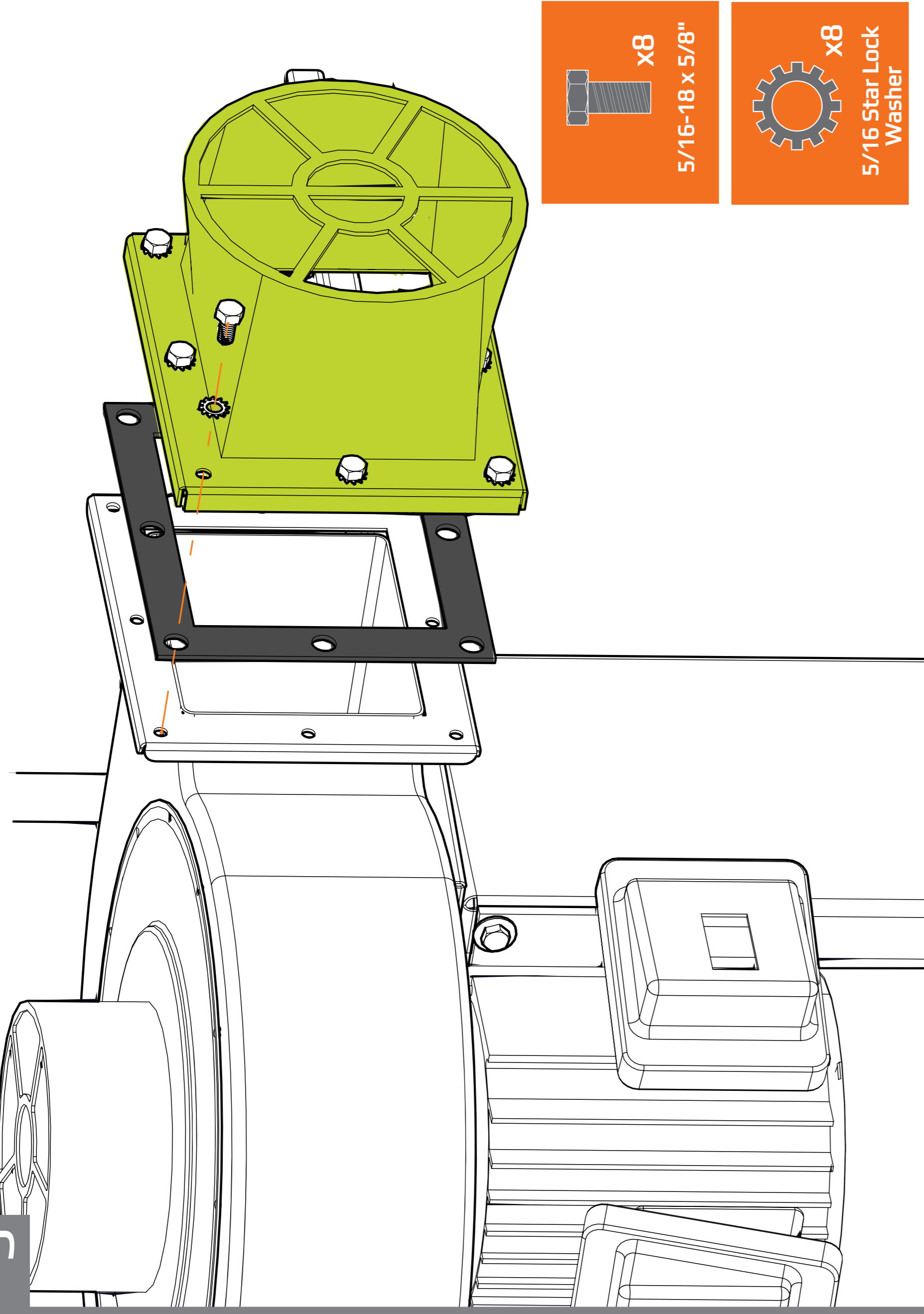
x4
5/16 Flat Washer

x4
5/16 Nyloc Nut

x4
5/16 Flat Washer

x4
5/16-18 x 1"

5 FASTENER BAG "F"

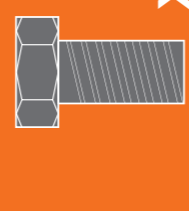
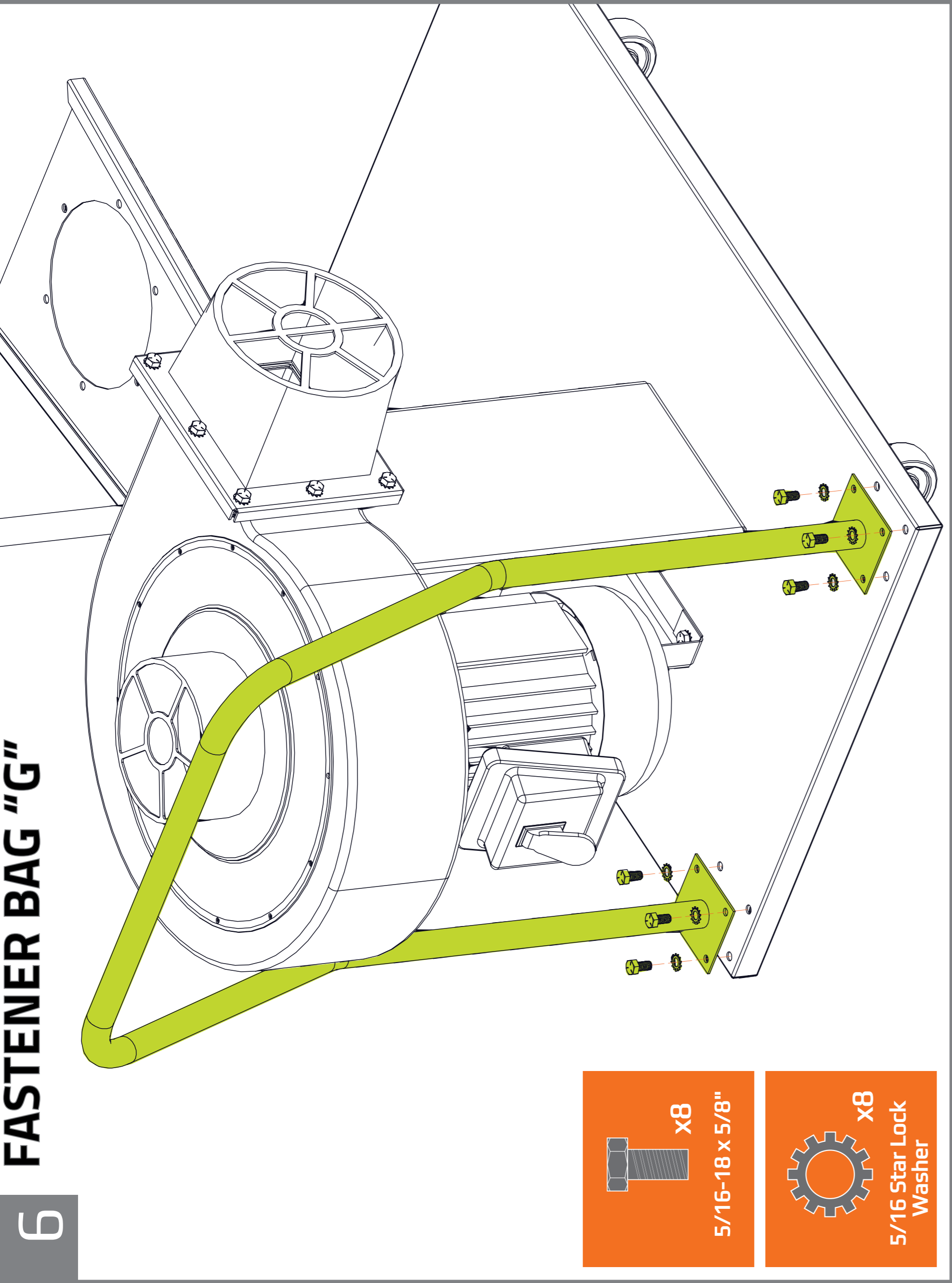


x8
5/16-18 x 5/8"



x8
5/16 Star Lock Washer

6 FASTENER BAG "G"

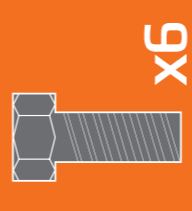
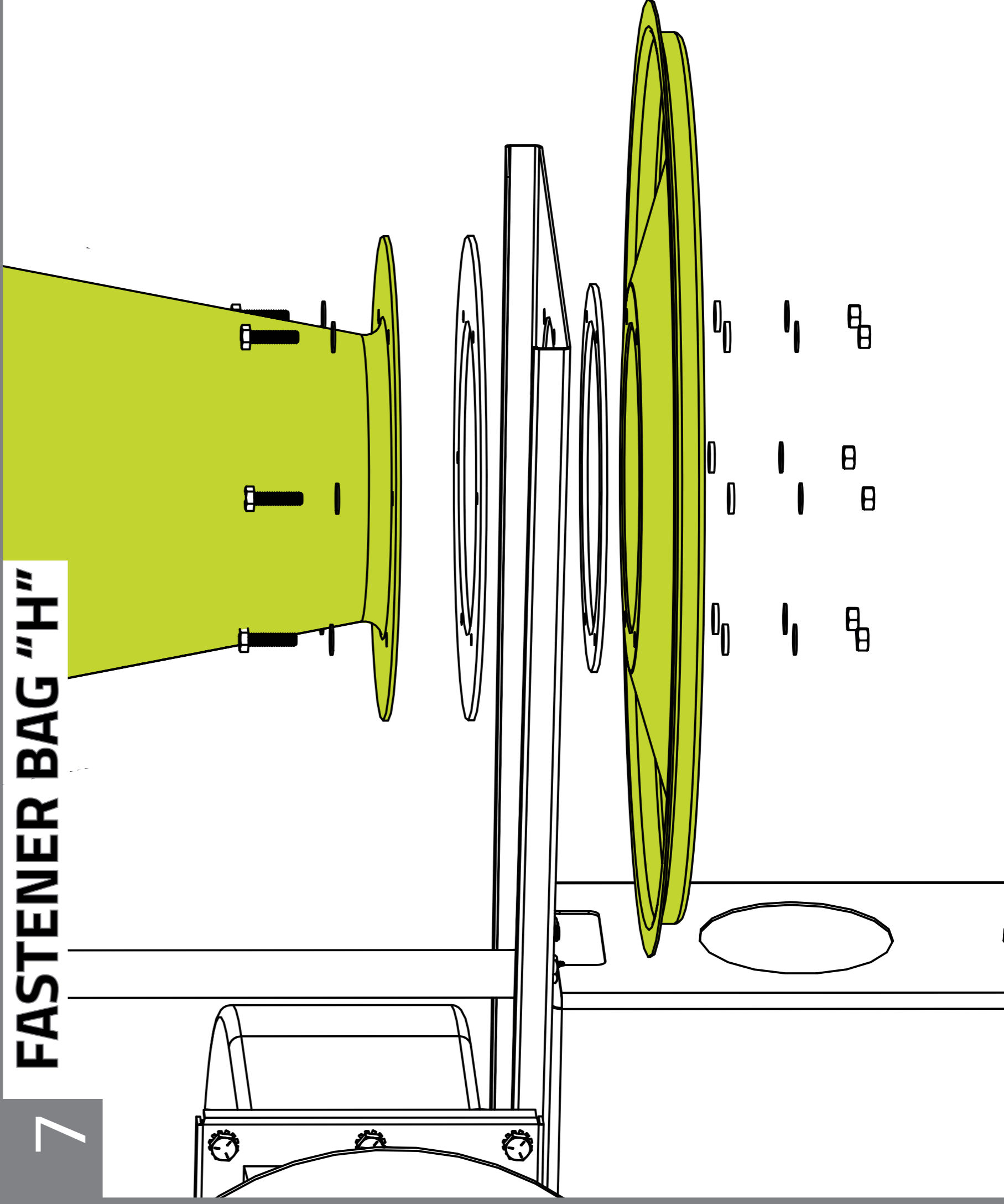


x8
5/16-18 x 5/8"



x8
5/16 Star Lock Washer

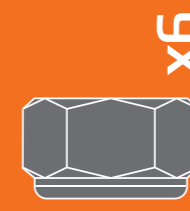
7 FASTENER BAG "H"



x6
1/4-20 x 1"



x6
1/4 Flat Washer

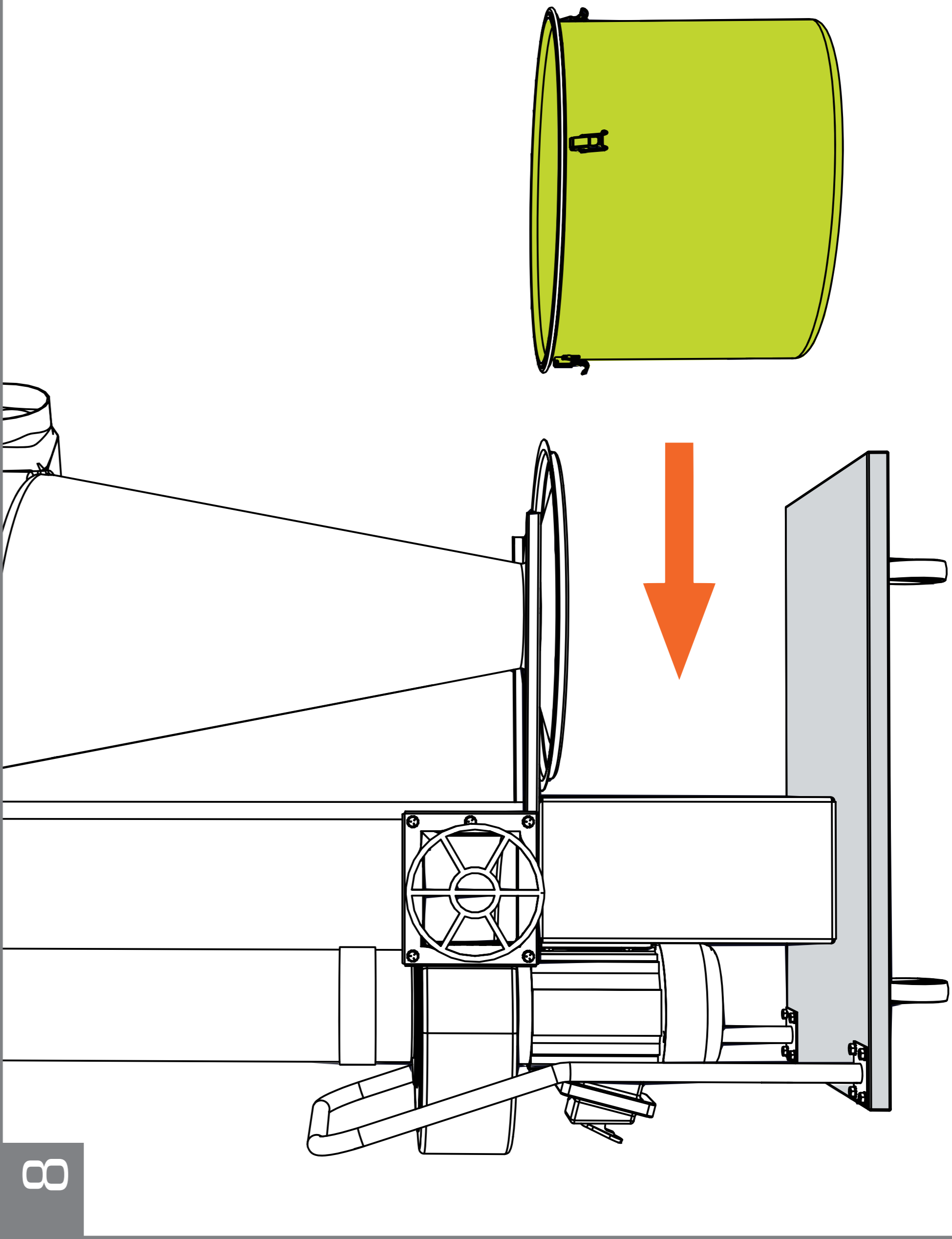


x6
1/4-20 Nut



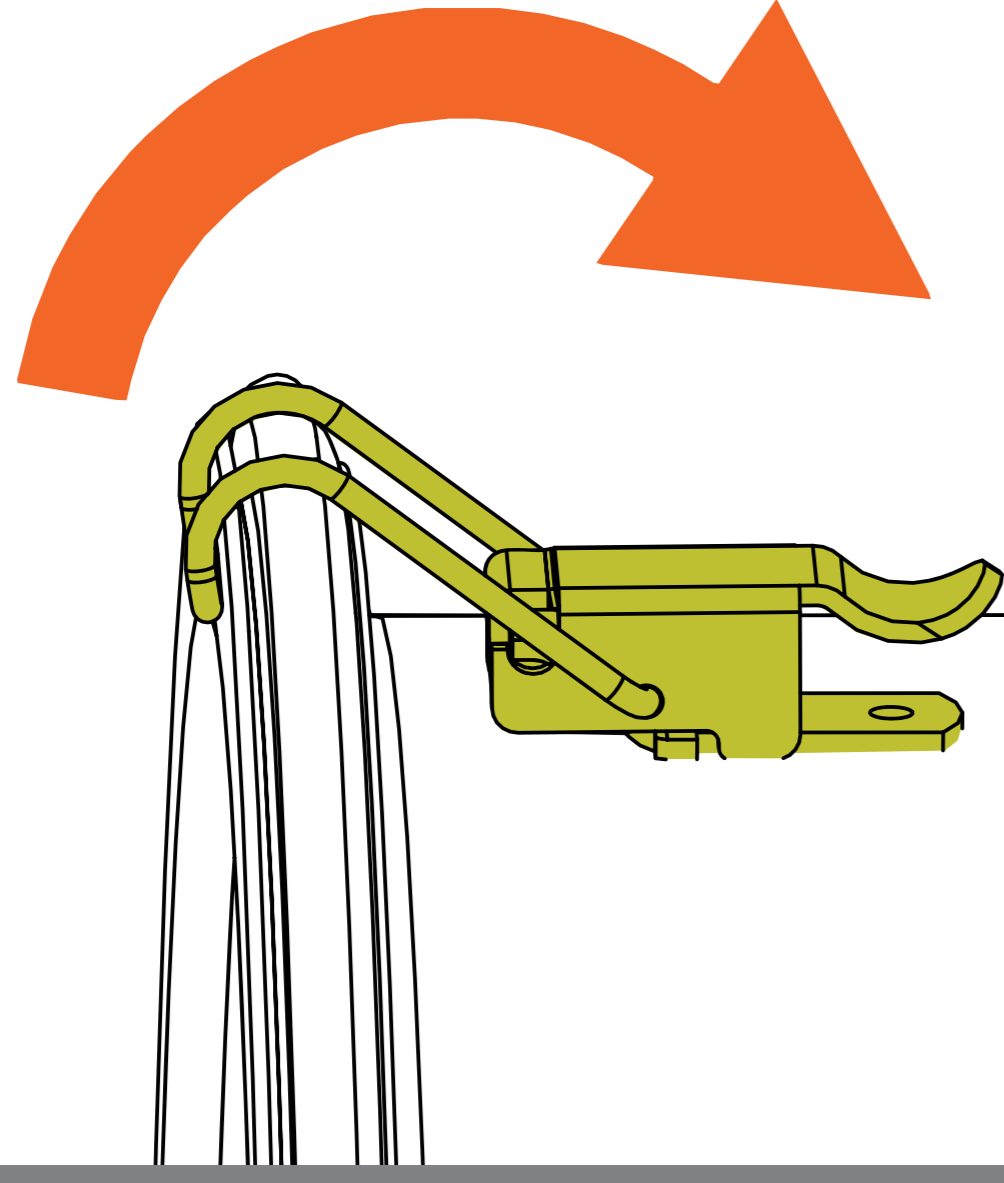
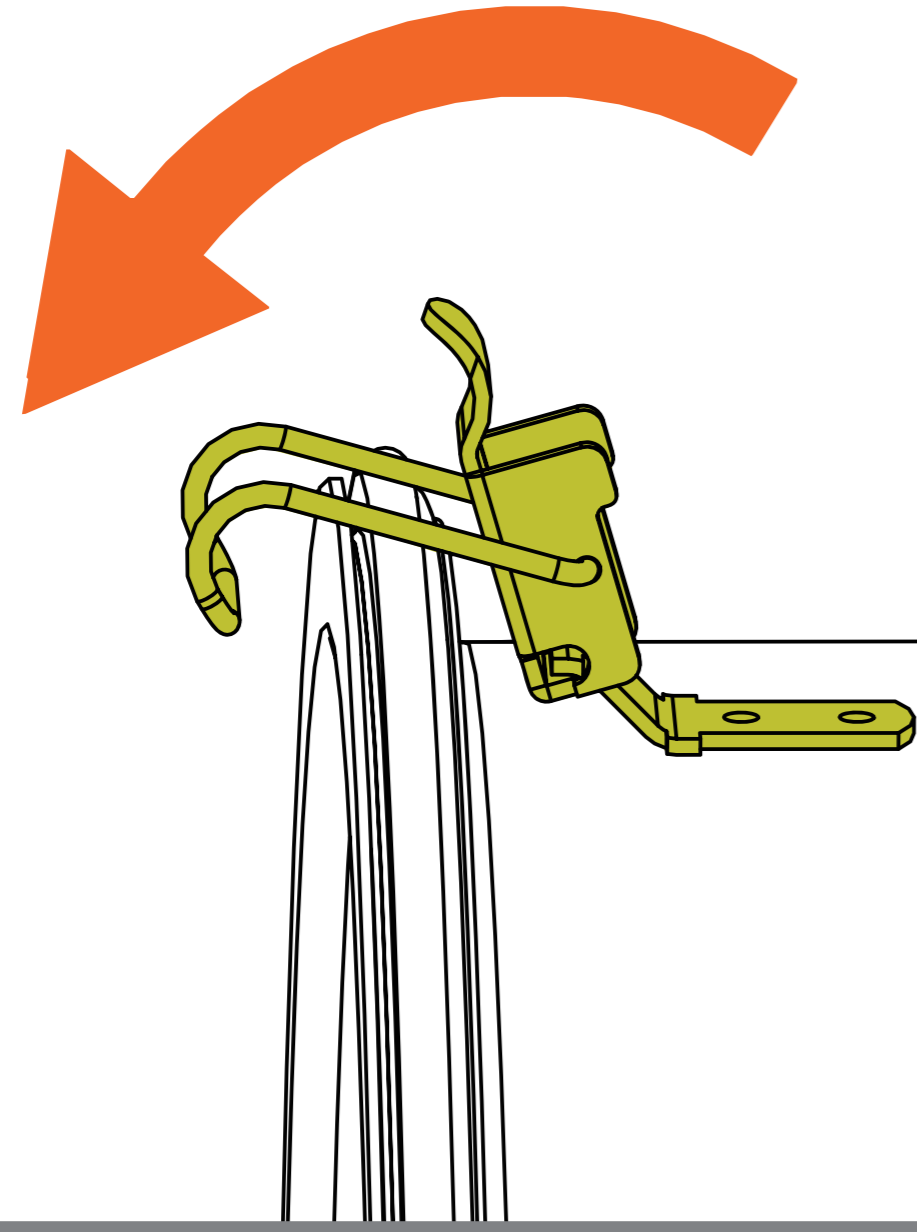
x6
Silicone Washer

8



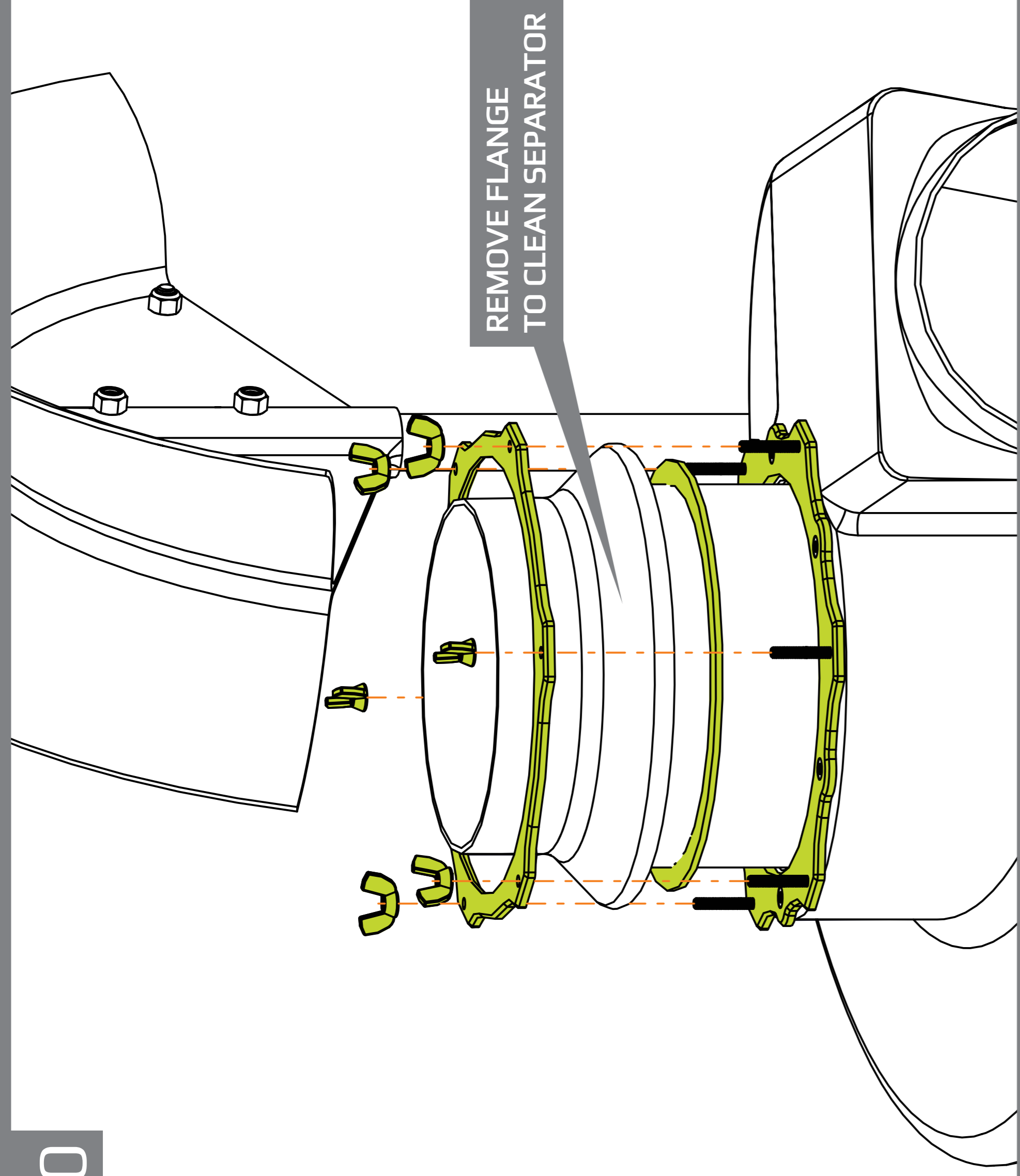
INSTALL THE LARGER GASKET BETWEEN THE SEPARATOR AND SUPPORT.
INSTALL SILICONE WASHERS BELOW THE LID WITH A FLAT WASHER

9



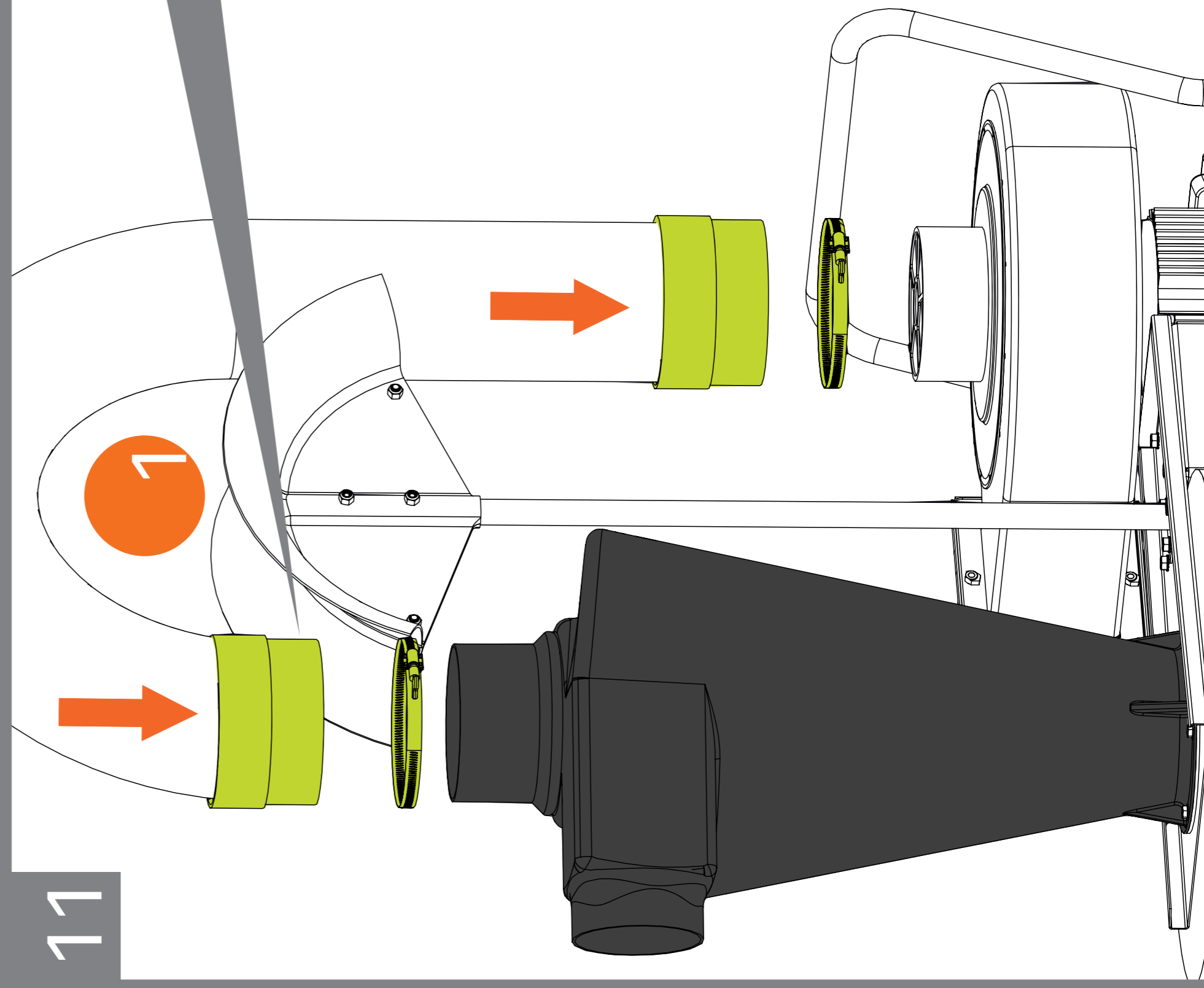
ENSURE THE BIN LID GASKET IS PROPERLY SEATED ON THE LID, AND FLUSH TO THE TOP OF THE BIN AFTER ALL LATCHES ARE ENGAGED.

10



11

Sliding hose cuffs over the vacuum separator may be difficult. Apply isopropyl alcohol or dish soap to help slide the hose on.



12

