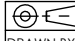

 <b>KEIRTON</b>		
<b>TITLE:</b> STANDARD FEED CONVEYOR ADJUSTMENT		
<b>SIZE</b> <b>A</b>	<b>DWG. NO.</b> 26-0001	<b>REV</b> 02
SCALE: 1:12		SHEET 1 OF 1

	<b>NAME</b> B. ANDERSON	<b>DATE</b> 2019-06-26
<small>           PROPRIETARY AND CONFIDENTIAL            THE INFORMATION CONTAINED IN THIS            DRAWING IS THE SOLE PROPERTY OF            KEIRTON INC. ANY REPRODUCTION            IN PART OR AS A WHOLE WITHOUT THE            WRITTEN PERMISSION OF KEIRTON INC.            IS PROHIBITED.         </small>		

# CONVEYOR COMPATIBILITY CHART

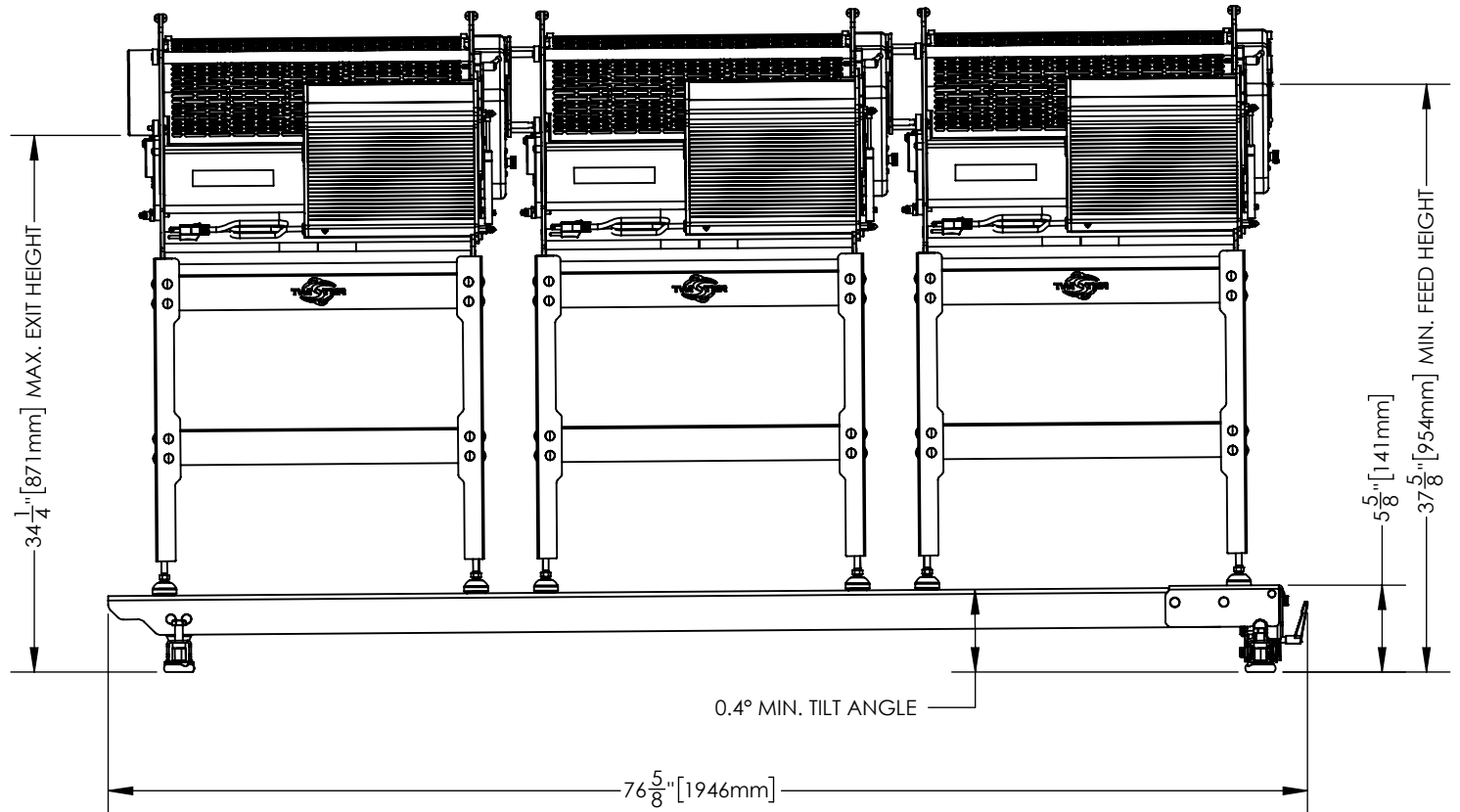
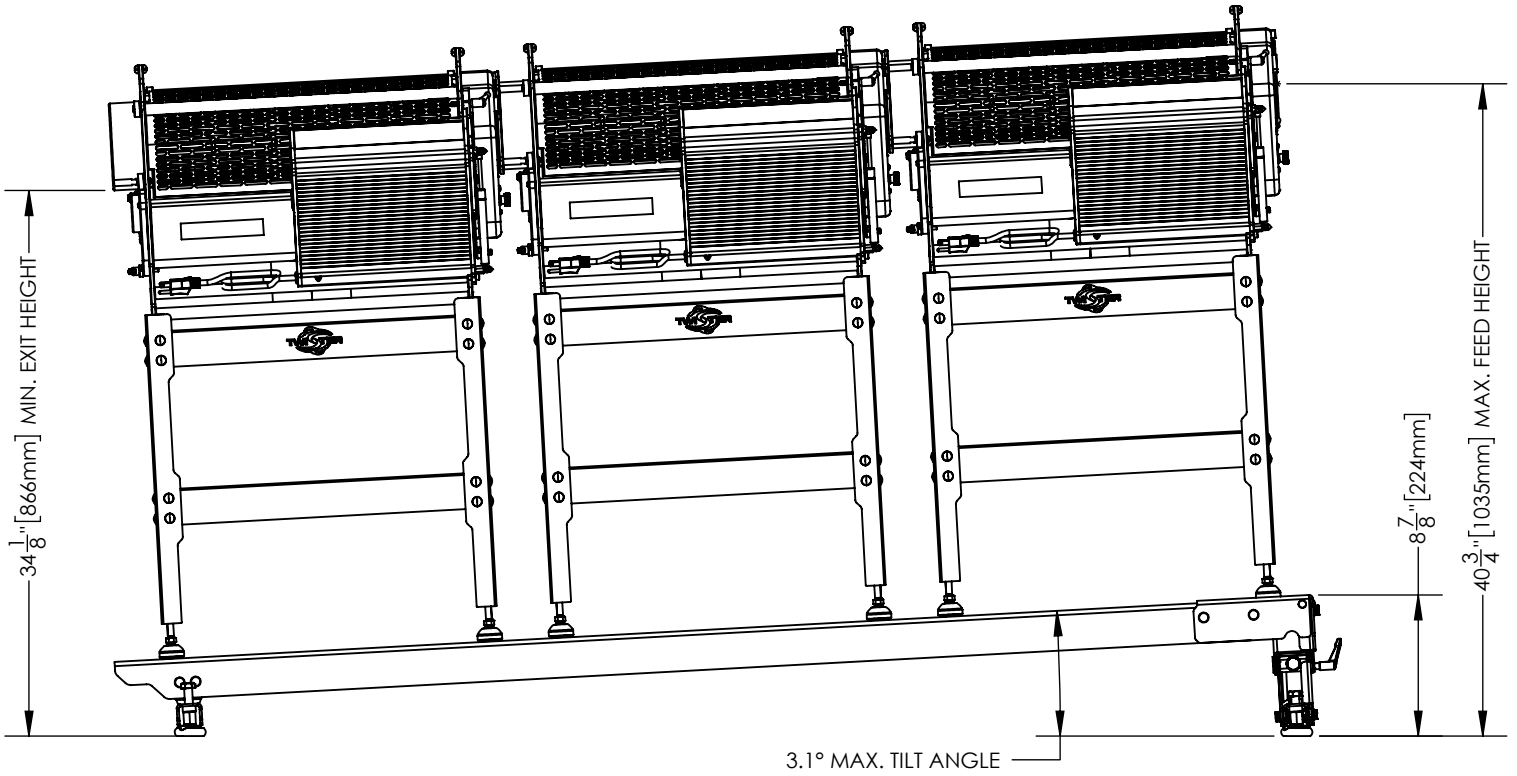
	UP TO 3X T4, NO RAILS	2X T4, W/ RAILS	3X T4, W/ RAILS	UP TO 2X T2, NO RAILS	UP TO 2X T2 W/ RAILS	3X T2 W/ RAILS	4X T2 W/ RAILS
STANDARD FEED CONVEYOR (26-0001-02)	✓	✗	✗	✓	✓	✗	✗
STANDARD QC CONVEYOR (26-0002-02)	✓	✓	✓	✓	✓	✓	✓
EXTENDED HEIGHT FEED CONVEYOR (26-0102-00)	✗	✓	✓	✗	✗	✓	✓
STANDARD FEED CONVEYOR & EXTENSION KIT (26-0001-02 & 27-0006)	✗	✓	✓	✗	✗	✓	✓
STANDARD QC CONVEYOR & EXTENSION KIT* (26-0001-02 & 27-0006)	✗	✓	✓	✗	✗	✗	✗
EXTENDED HEIGHT QC CONVEYOR* (26-0106)	✗	✓	✓	✗	✗	✓	✓

 **CORRECT SIZING FOR APPLICATION**

 **WILL FIT, BUT NOT IDEAL FOR APPLICATION**

 **WILL NOT FIT FOR APPLICATION**

\*EXTENDED HEIGHT QC CONVEYORS (OR STANDARD QC WITH EXTENSION KITS) ARE ONLY FOR T4 RAILS.

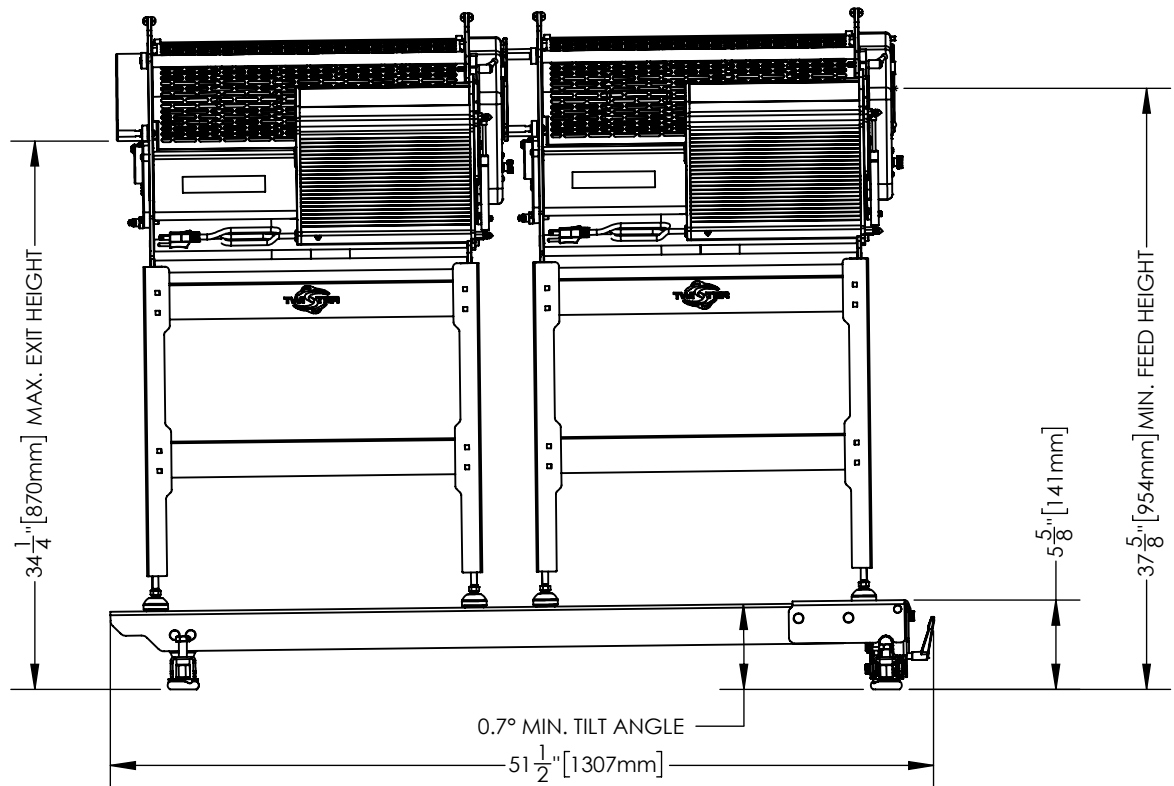
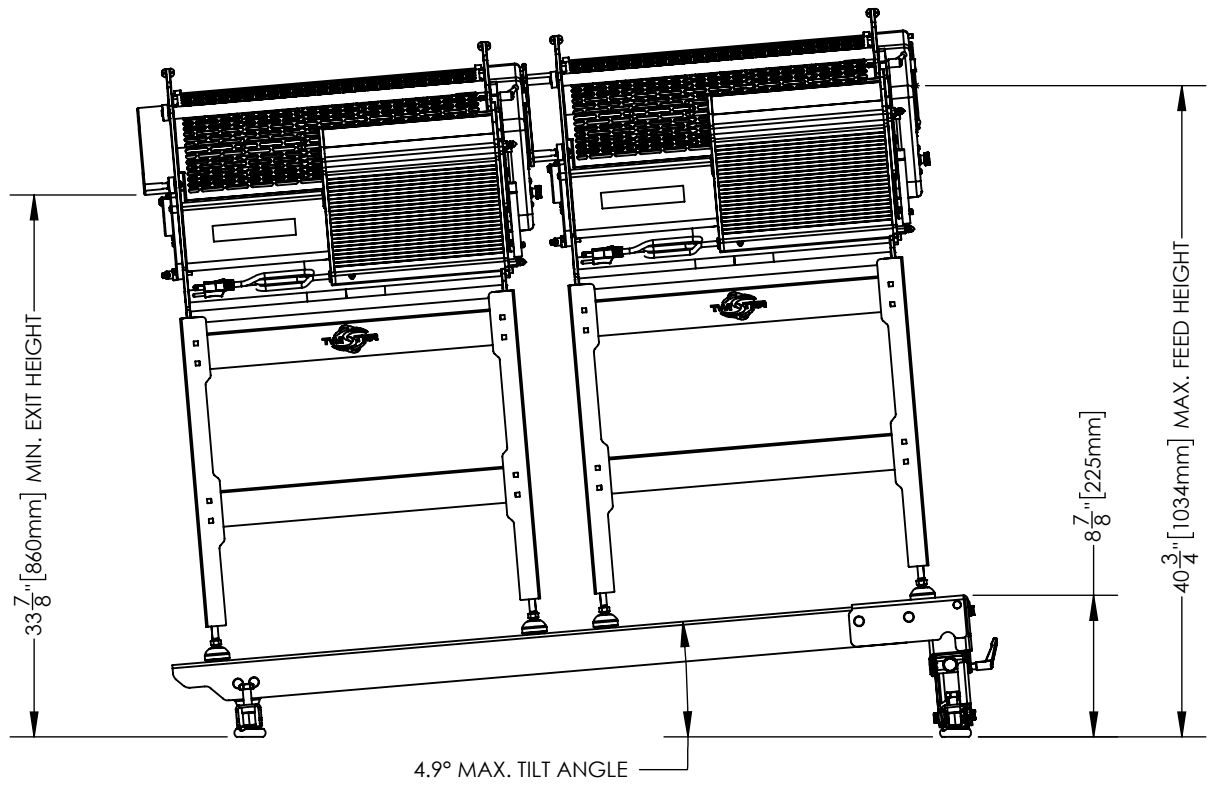


TITLE:  
TRIPLE T4 RAILS ADJUSTMENT

	NAME	DATE
DRAWN BY:	B. ANDERSON	2019-06-21

PROPRIETARY AND CONFIDENTIAL  
THE INFORMATION CONTAINED IN THIS DRAWING IS THE SOLE PROPERTY OF KEIRTON INC. ANY REPRODUCTION IN PART OR AS A WHOLE WITHOUT THE WRITTEN PERMISSION OF KEIRTON INC. IS PROHIBITED.

SIZE	DWG. NO.	REV
<b>A</b>	24-0139	01
SCALE: 1:12		SHEET 1 OF 1

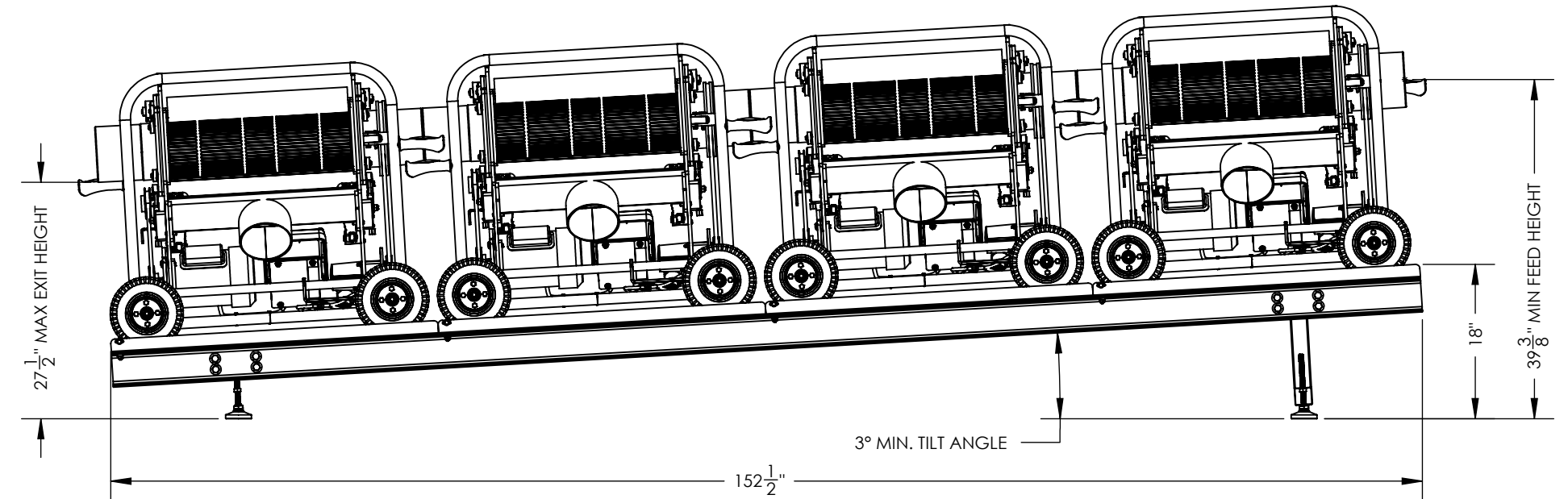
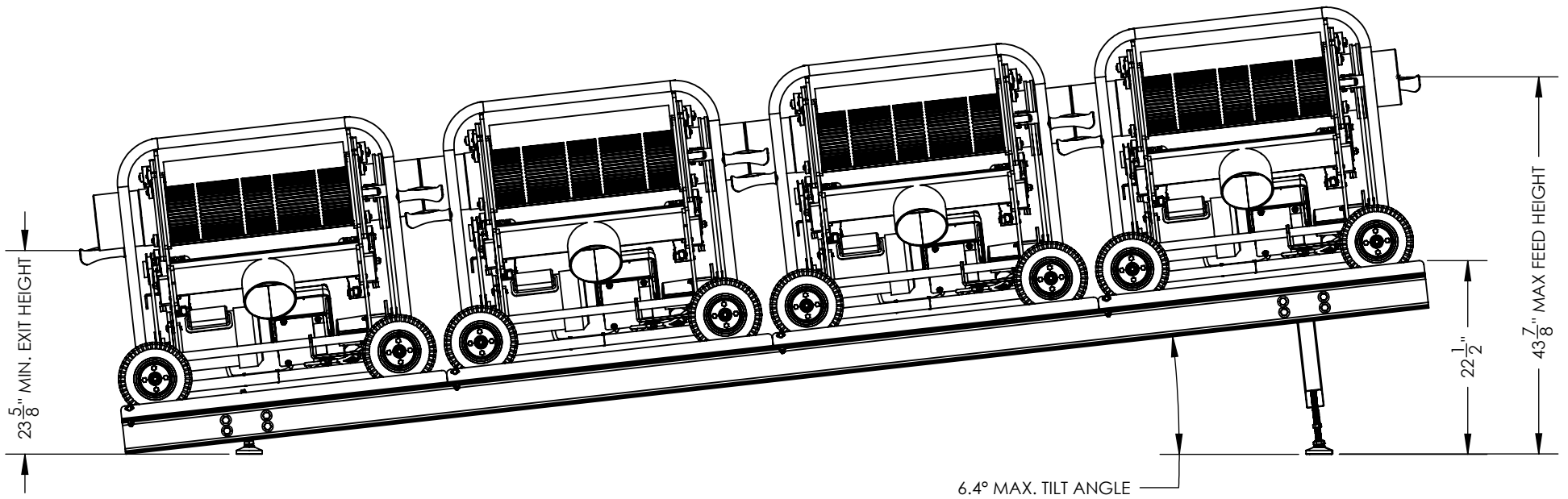


TITLE:  
TANDEM T4 RAILS ADJUSTMENT

NAME	DATE
B. ANDERSON	2019-06-21

PROPRIETARY AND CONFIDENTIAL  
THE INFORMATION CONTAINED IN THIS DRAWING IS THE SOLE PROPERTY OF KEIRTON INC. ANY REPRODUCTION IN PART OR AS A WHOLE WITHOUT THE WRITTEN PERMISSION OF KEIRTON INC. IS PROHIBITED.

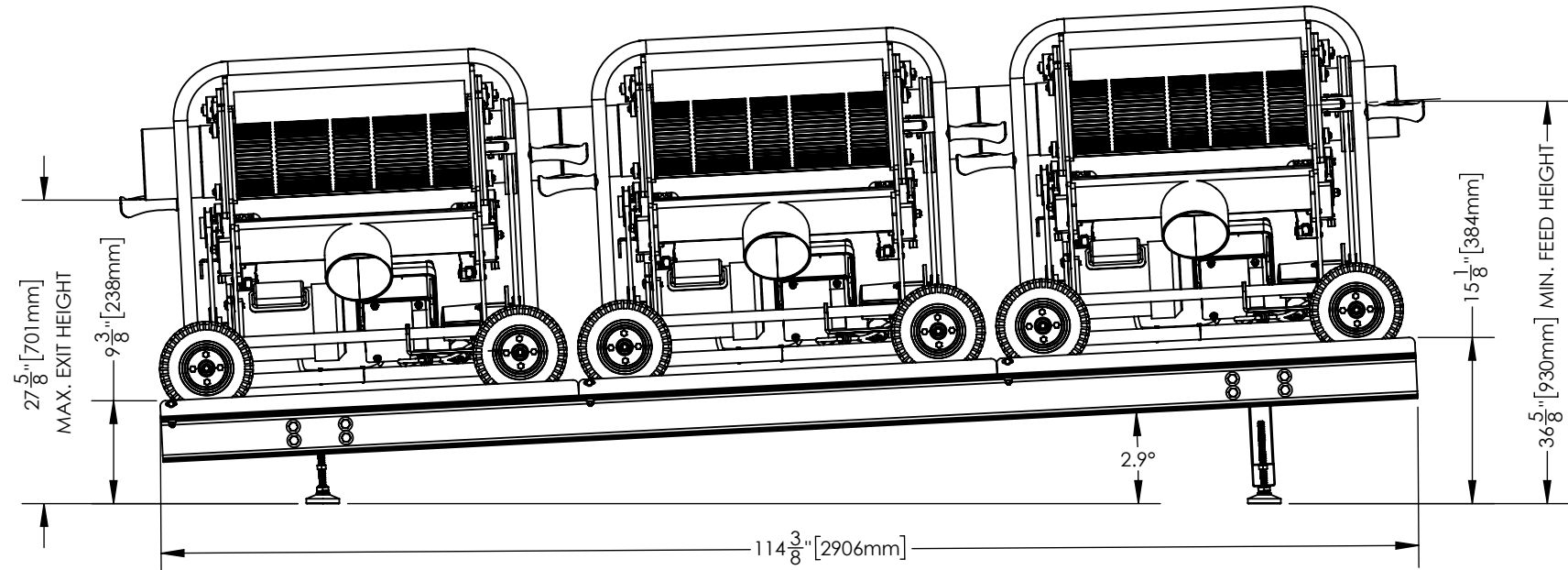
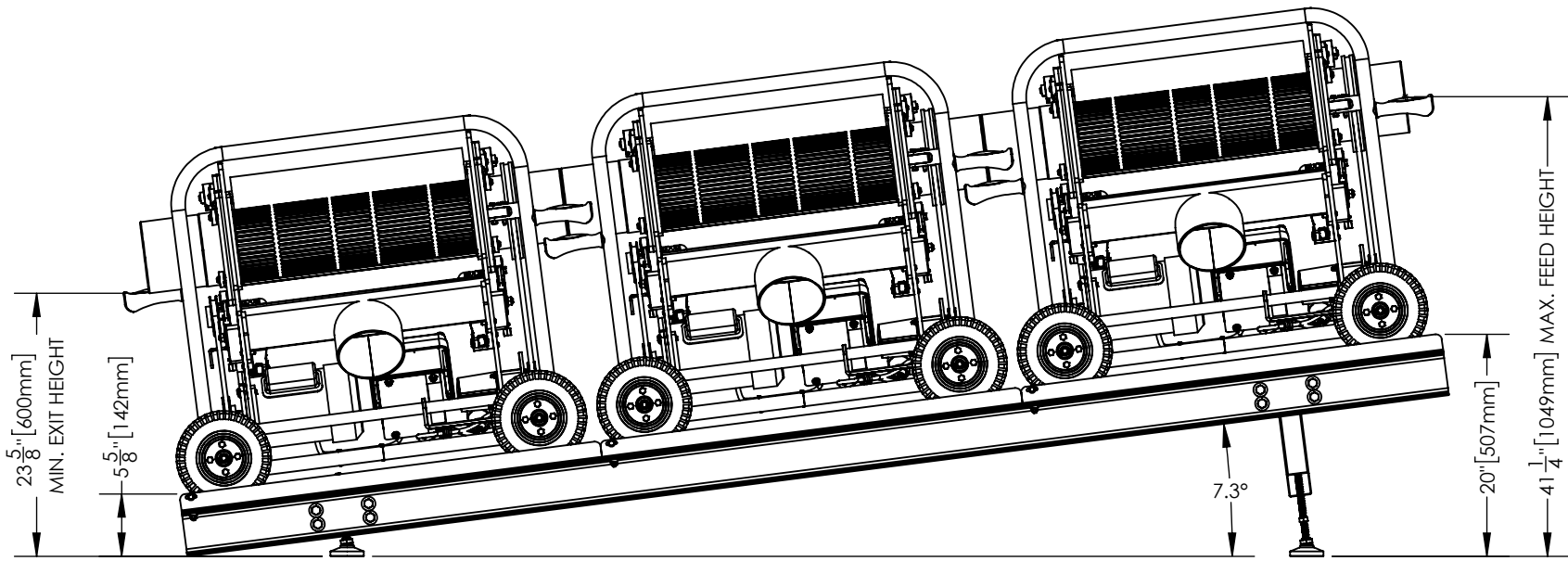
SIZE	DWG. NO.	REV
<b>A</b>	24-0140	01
SCALE: 1:12		SHEET 1 OF 1



TITLE:		
QUAD T2 RAIL ADJUSTMENT		
SIZE	DWG. NO.	REV
<b>A</b>	24-9033	02
SCALE: 1:18		SHEET 1 OF 1

	NAME	DATE
	B. ANDERSON	26/04/2019

PROPRIETARY AND CONFIDENTIAL  
 THE INFORMATION CONTAINED IN THIS  
 DRAWING IS THE SOLE PROPERTY OF  
 KEIRTON INC. ANY REPRODUCTION  
 IN PART OR AS A WHOLE WITHOUT THE  
 WRITTEN PERMISSION OF KEIRTON INC.  
 IS PROHIBITED.

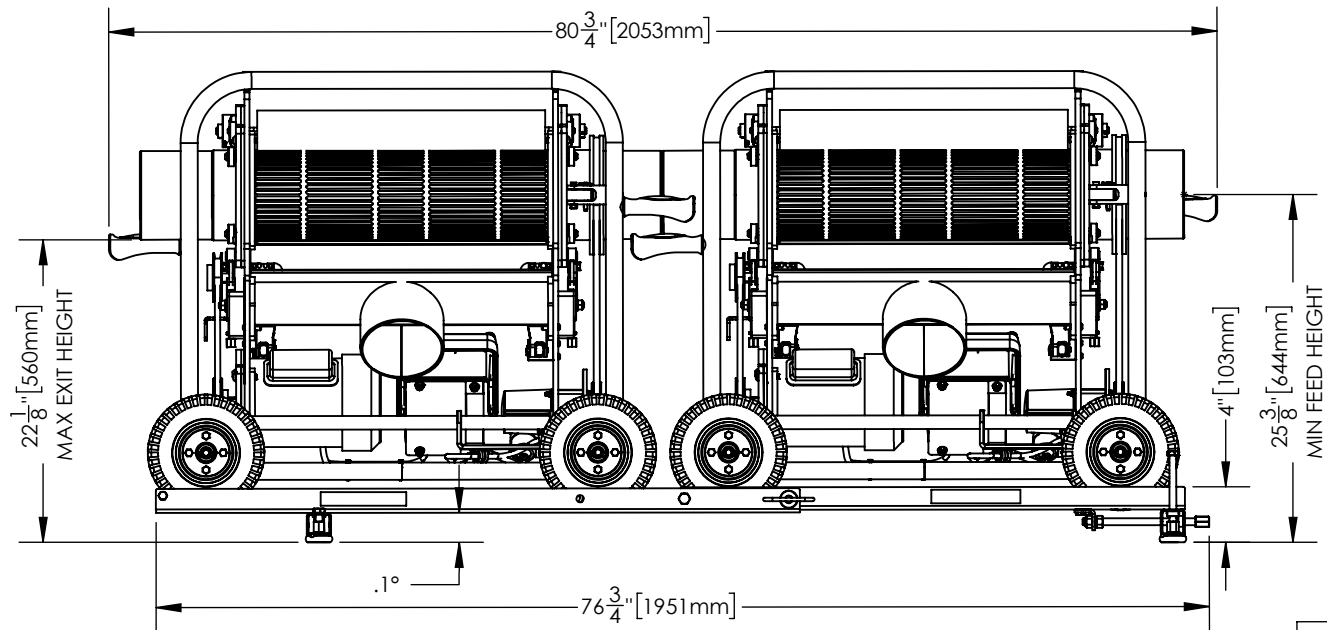
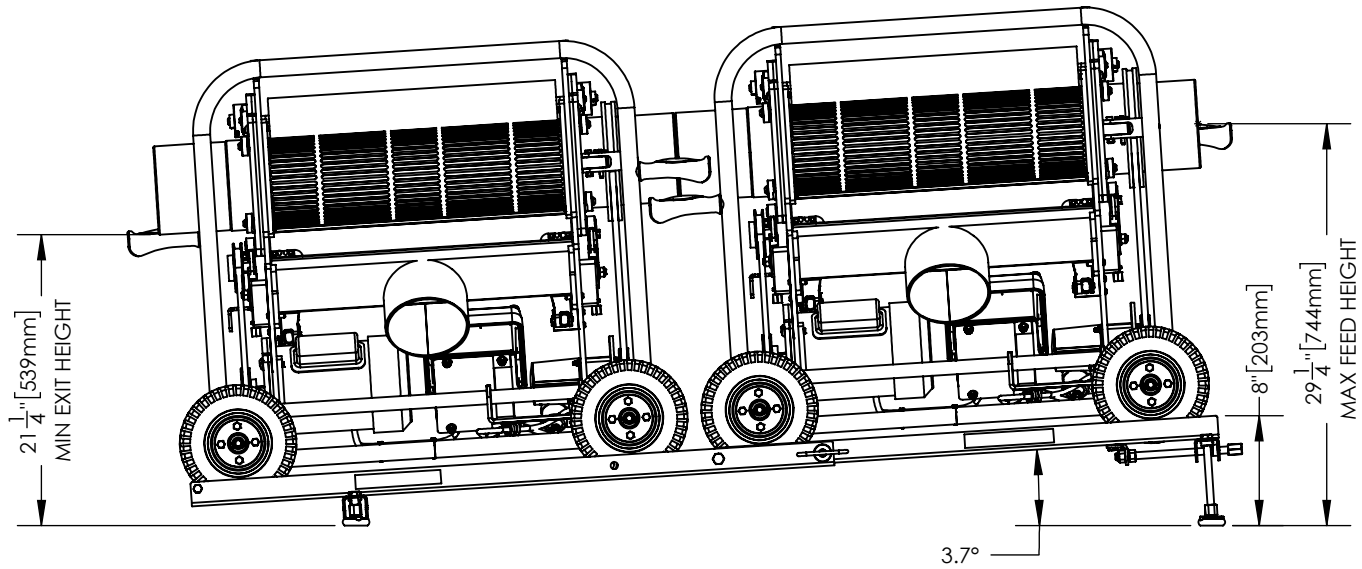


TITLE:  
T2 TRIPLE RAILS ADJUSTMENT

	NAME	DATE
DRAWN BY:	B. ANDERSON	26/04/2019

PROPRIETARY AND CONFIDENTIAL  
THE INFORMATION CONTAINED IN THIS DRAWING IS THE SOLE PROPERTY OF KEIRTON INC. ANY REPRODUCTION IN PART OR AS A WHOLE WITHOUT THE WRITTEN PERMISSION OF KEIRTON INC. IS PROHIBITED.

SIZE	DWG. NO.	REV
<b>A</b>	24-9036	02
SCALE: 1:16		SHEET 1 OF 1



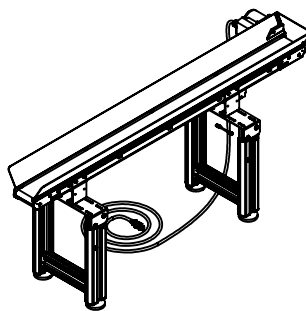
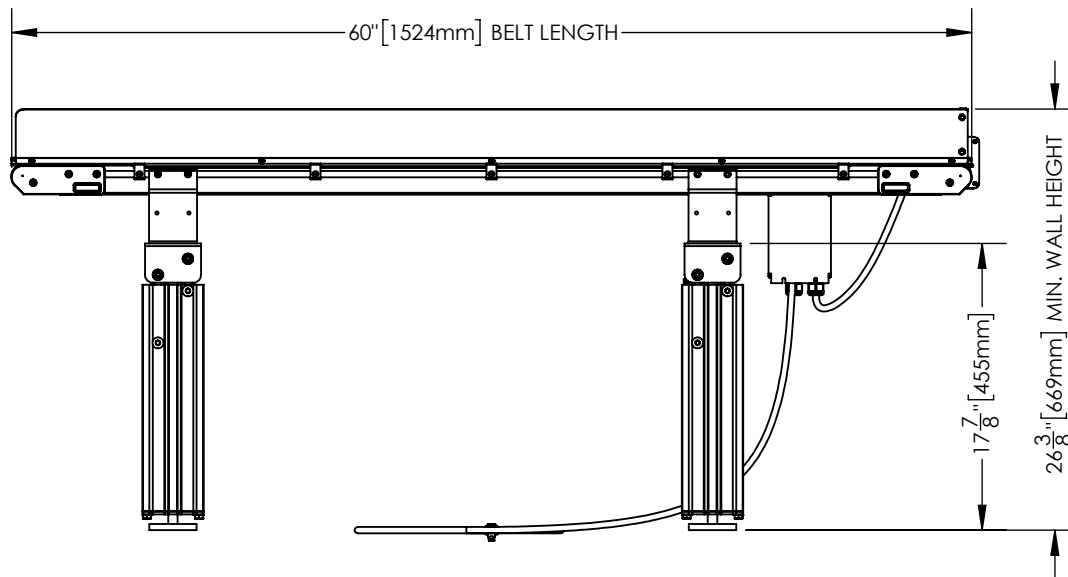
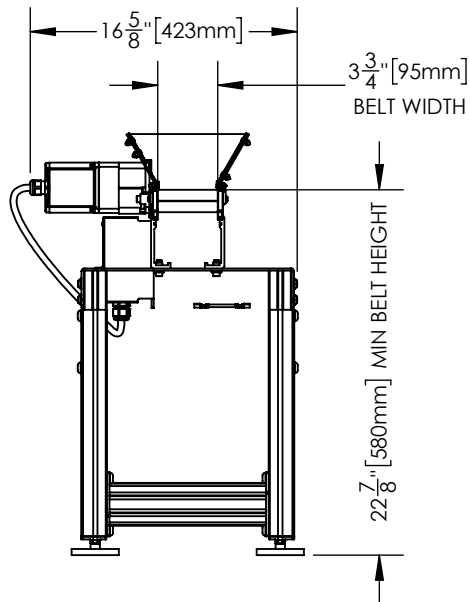
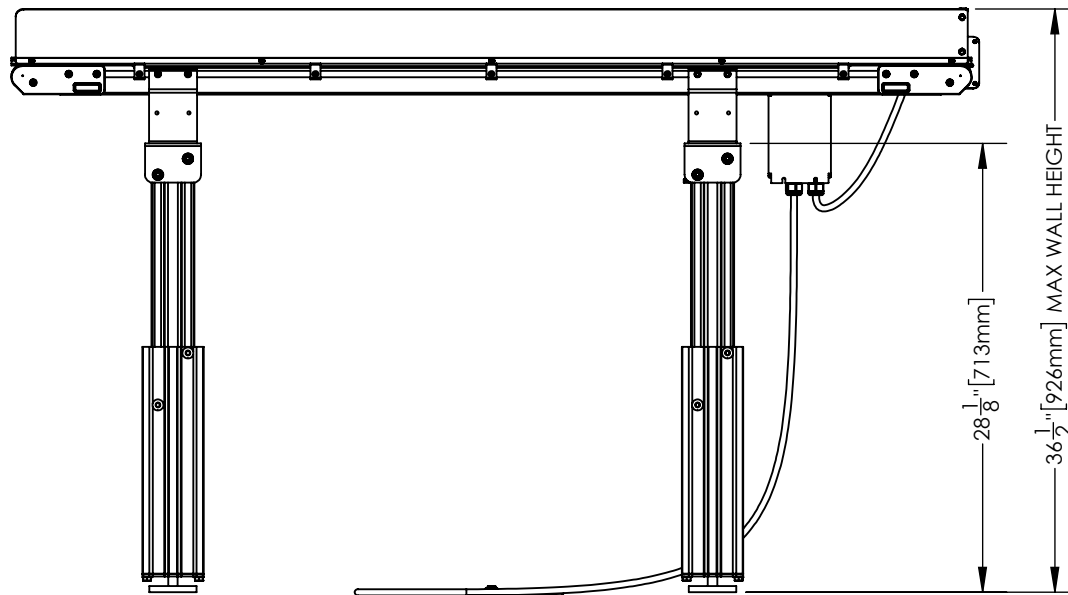
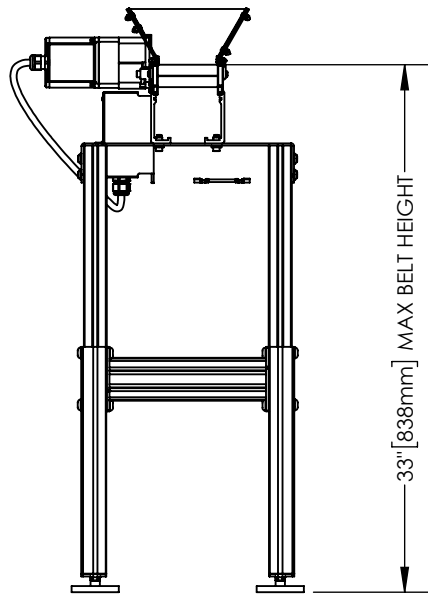
TITLE:  
T2 TANDEM RAILS ADJUSTMENT


	NAME	DATE
DRAWN BY:	B. ANDERSON	2019-06-27

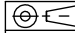
PROPRIETARY AND CONFIDENTIAL  
THE INFORMATION CONTAINED IN THIS  
DRAWING IS THE SOLE PROPERTY OF  
KEIRTON INC. ANY REPRODUCTION  
IN PART OR AS A WHOLE WITHOUT THE  
WRITTEN PERMISSION OF KEIRTON INC.  
IS PROHIBITED.

SIZE	DWG. NO.	REV
<b>A</b>	24-0400 & 24-0401	01

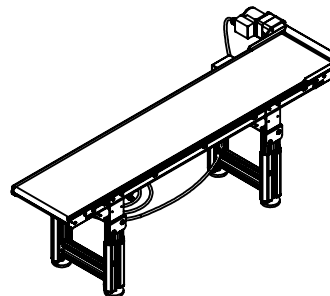
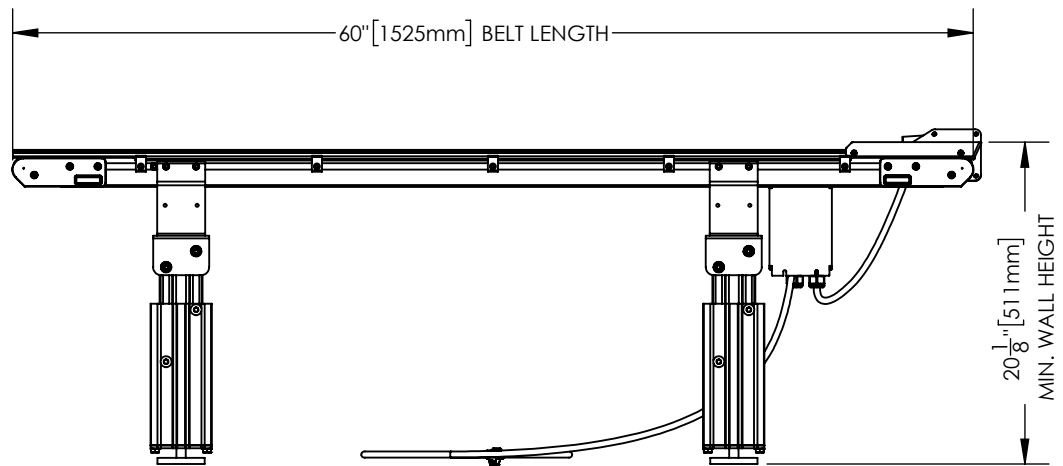
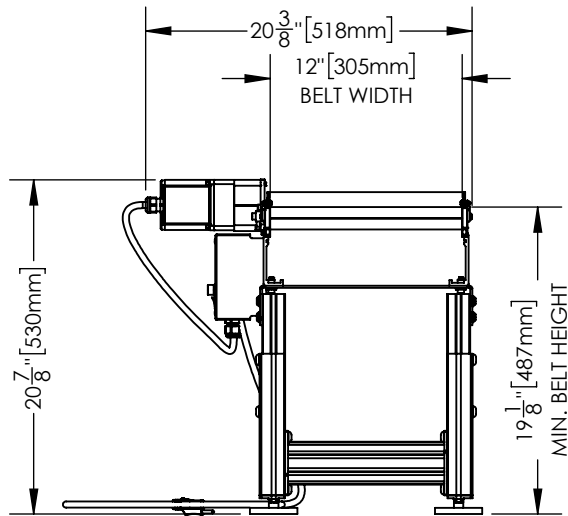
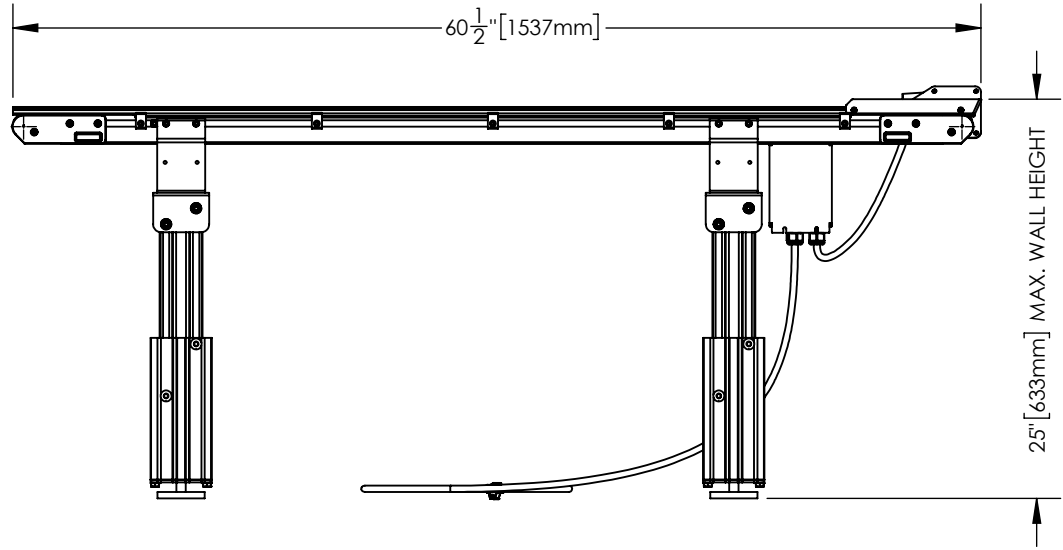
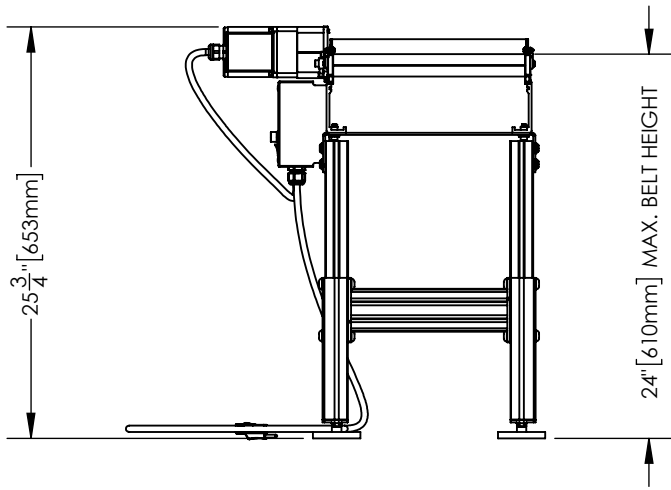
SCALE: 1:14      SHEET 1 OF 1



 <b>KEIRTON</b>	
TITLE: STANDARD FEED CONVEYOR ADJUSTMENT	
SIZE <b>A</b>	DWG. NO. 26-0001
REV 02	
SCALE: 1:12	SHEET 1 OF 1

 NAME DATE  
 DRAWN BY: B. ANDERSON 2019-06-26  
**PROPRIETARY AND CONFIDENTIAL**  
 THE INFORMATION CONTAINED IN THIS  
 DRAWING IS THE SOLE PROPERTY OF  
 KEIRTON INC. ANY REPRODUCTION  
 IN PART OR AS A WHOLE WITHOUT THE  
 WRITTEN PERMISSION OF KEIRTON INC.  
 IS PROHIBITED.





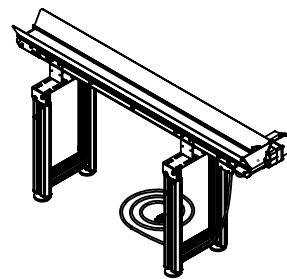
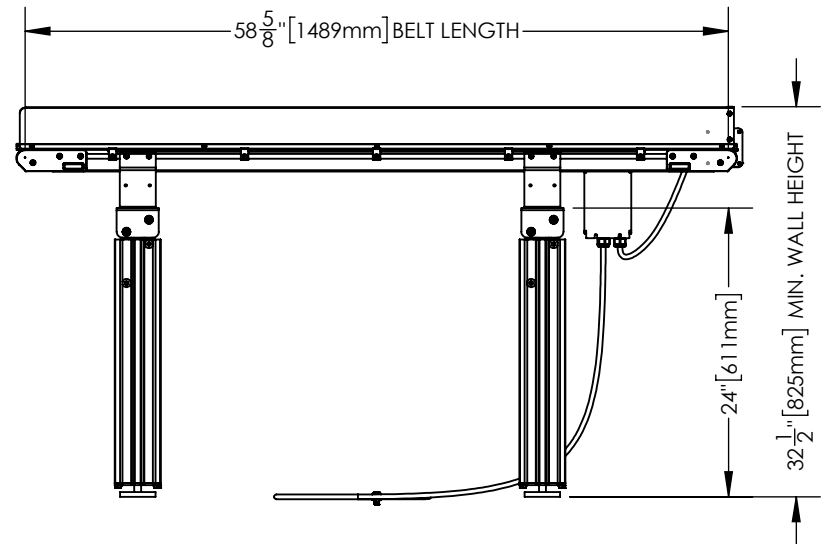
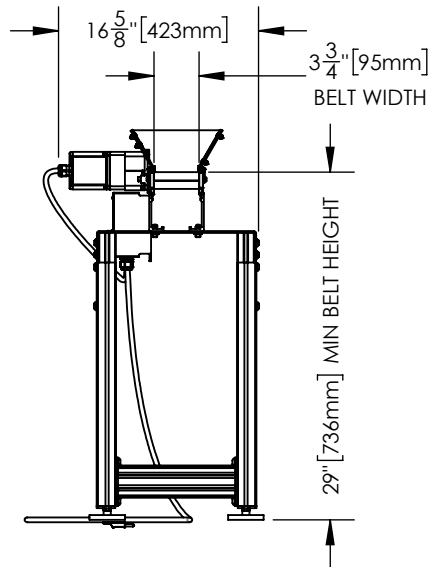
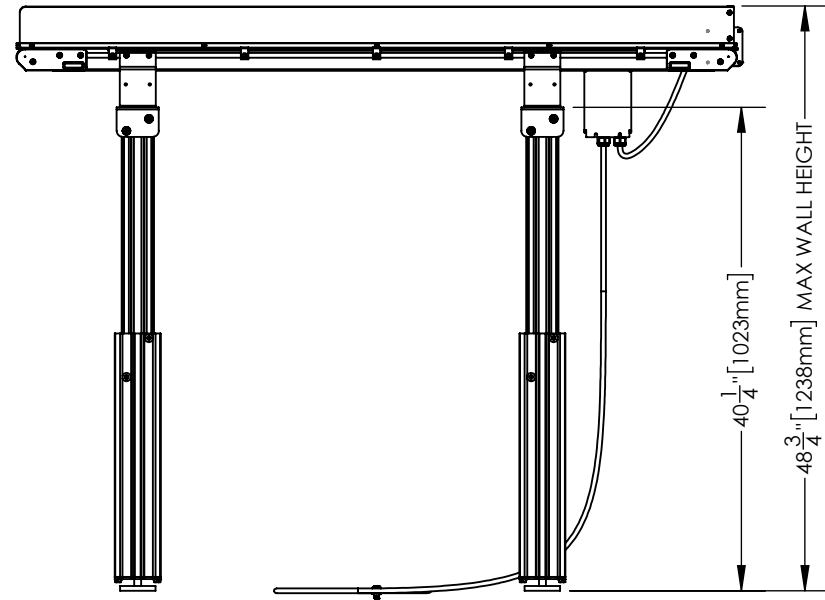
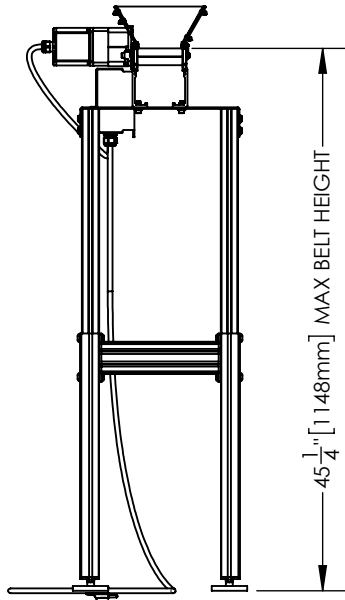
TITLE:  
STANDARD QC CONVEYOR  
ADJUSTMENT

	NAME	DATE
	B. ANDERSON	2019-06-26

PROPRIETARY AND CONFIDENTIAL  
THE INFORMATION CONTAINED IN THIS  
DRAWING IS THE SOLE PROPERTY OF  
KEIRTON INC. ANY REPRODUCTION  
IN PART OR AS A WHOLE WITHOUT THE  
WRITTEN PERMISSION OF KEIRTON INC.  
IS PROHIBITED.

SIZE	DWG. NO.	REV
<b>A</b>	26-0002	02

SCALE: 1:12 SHEET 1 OF 1



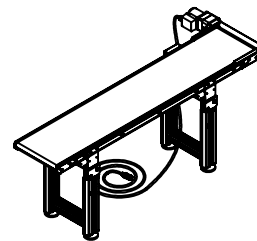
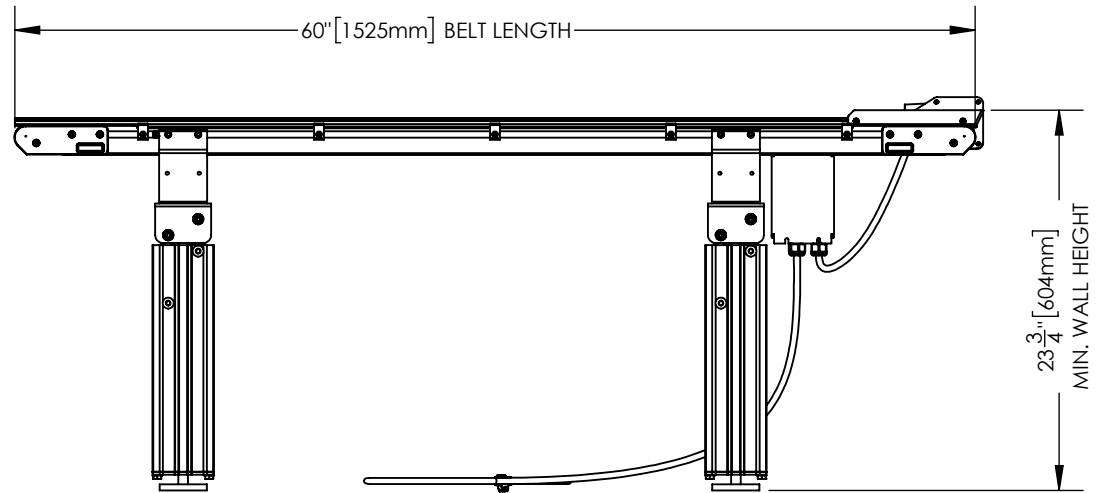
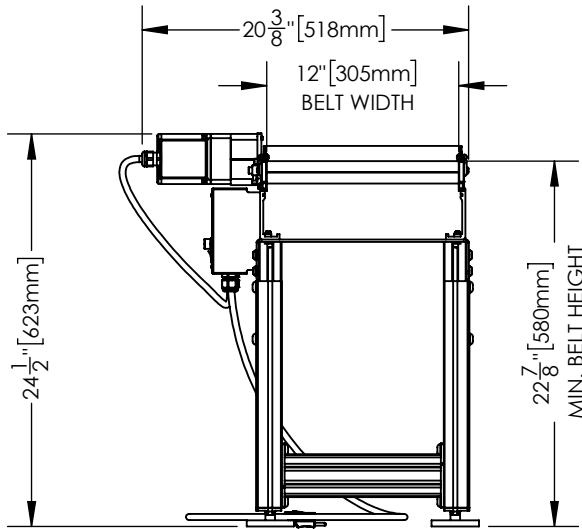
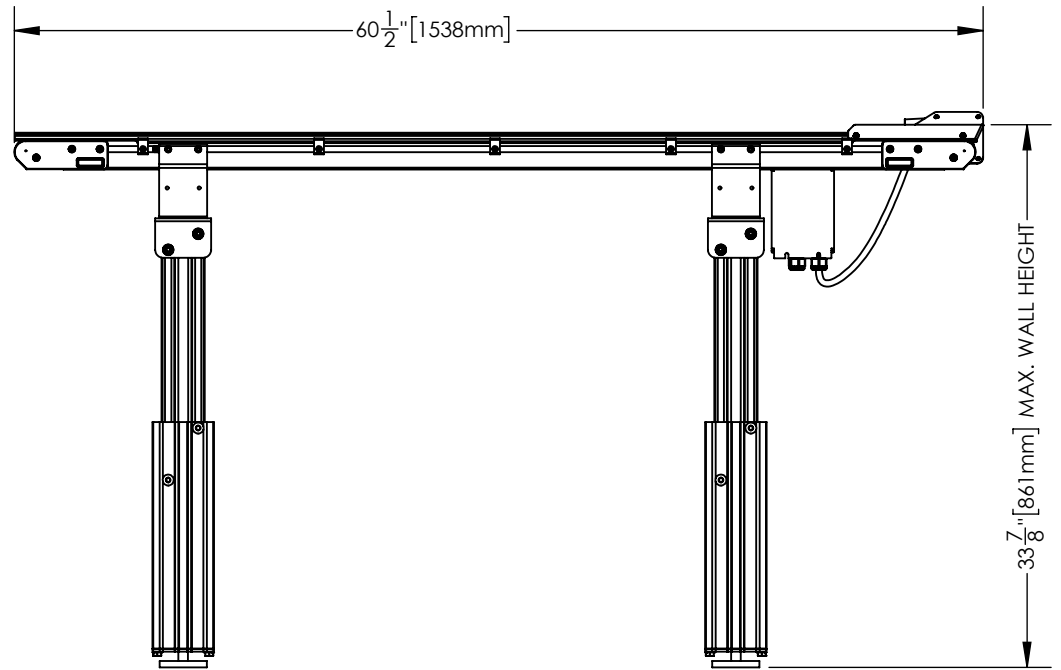
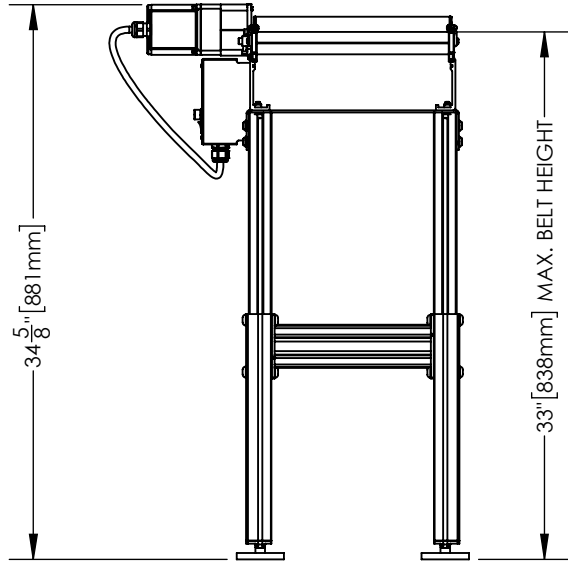
TITLE: STANDARD QC CONVEYOR ADJUSTMENT

⊕	NAME	DATE
DRAWN BY:	J. SCHULZ	2019-06-27

PROPRIETARY AND CONFIDENTIAL  
THE INFORMATION CONTAINED IN THIS DRAWING IS THE SOLE PROPERTY OF KEIRTON INC. ANY REPRODUCTION IN PART OR AS A WHOLE WITHOUT THE WRITTEN PERMISSION OF KEIRTON INC. IS PROHIBITED.

SIZE	DWG. NO.	REV
<b>A</b>	26-0102	02

SCALE: 1:16 SHEET 1 OF 1

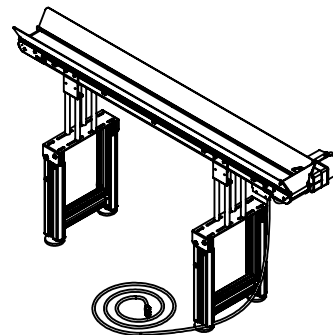
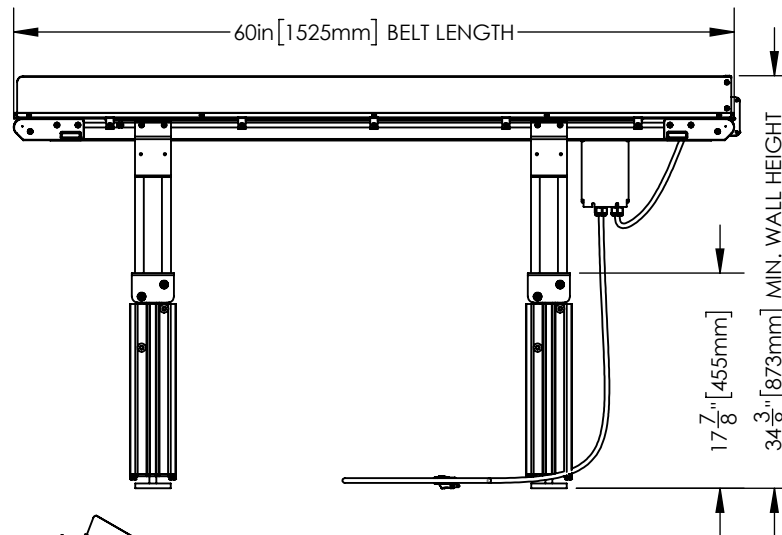
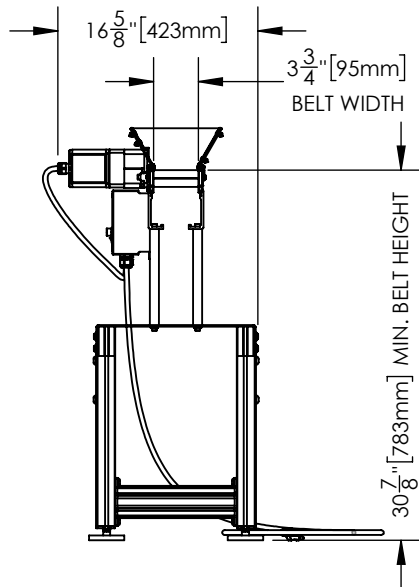
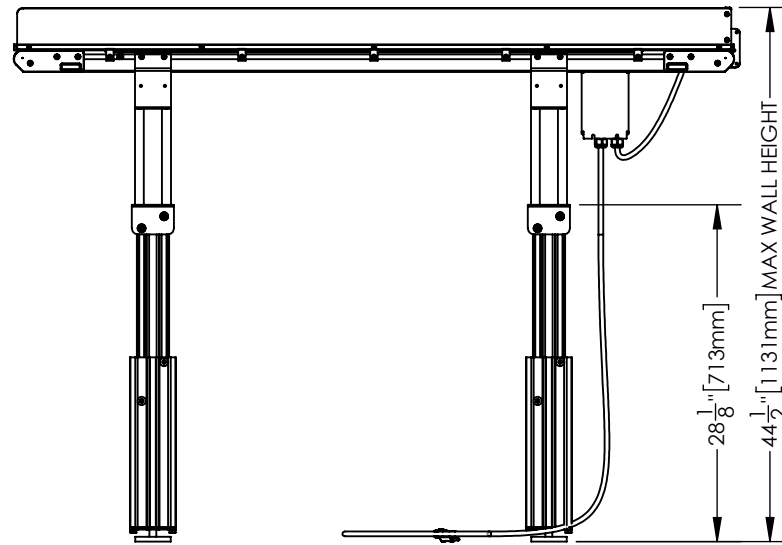
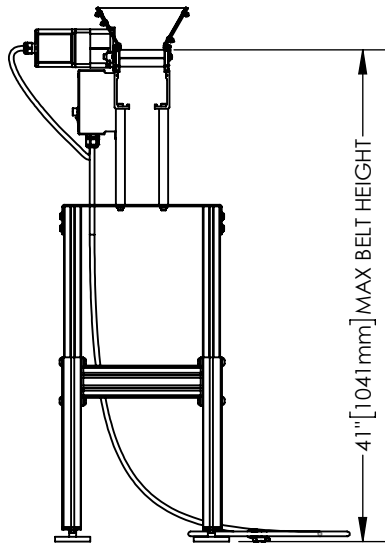


TITLE:  
EXTENDED HEIGHT QC  
CONVEYOR ADJUSTMENT

	NAME	DATE
	B. ANDERSON	2019-06-26

PROPRIETARY AND CONFIDENTIAL  
THE INFORMATION CONTAINED IN THIS  
DRAWING IS THE SOLE PROPERTY OF  
KEIRTON INC. ANY REPRODUCTION  
IN PART OR AS A WHOLE WITHOUT THE  
WRITTEN PERMISSION OF KEIRTON INC.  
IS PROHIBITED.

SIZE <b>A</b>	DWG. NO. 26-0106	REV 01
SCALE: 1:12		SHEET 1 OF 1

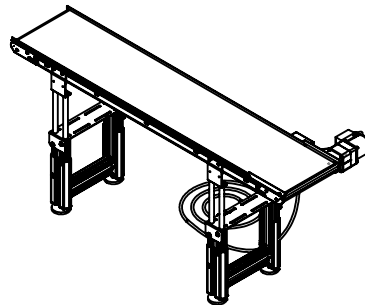
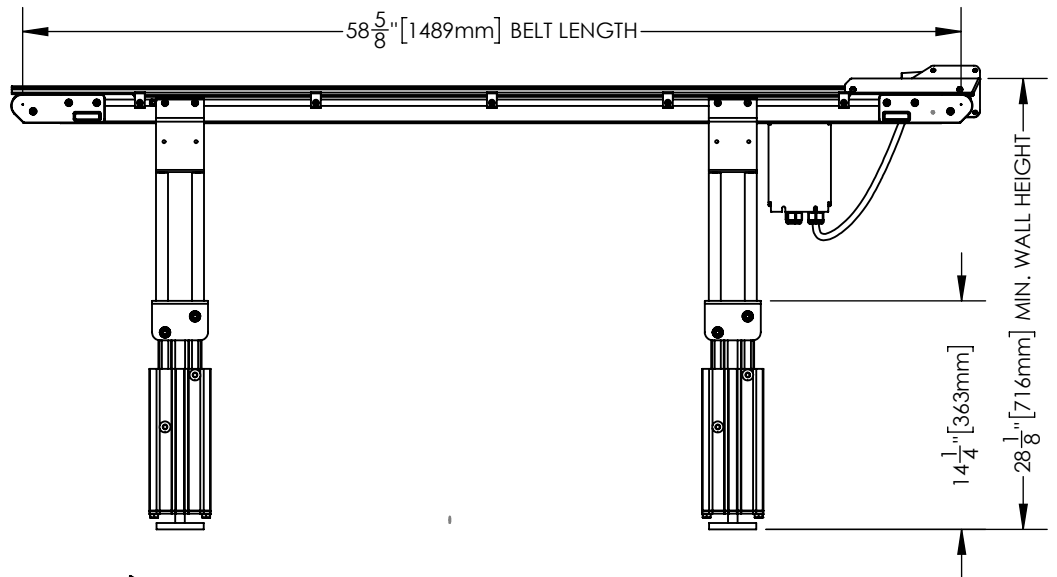
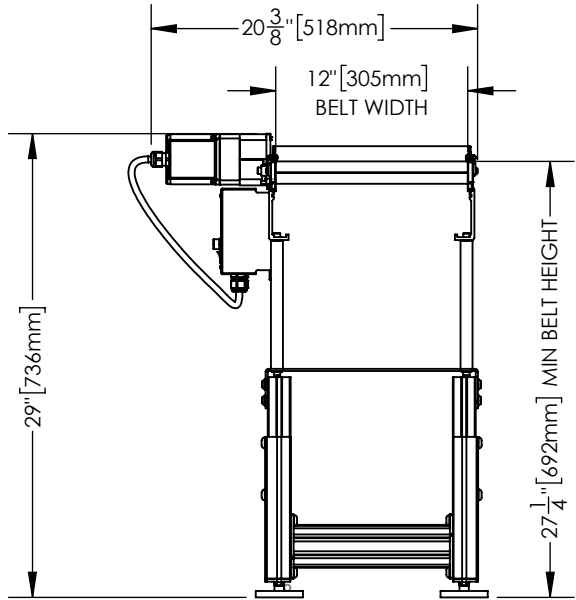
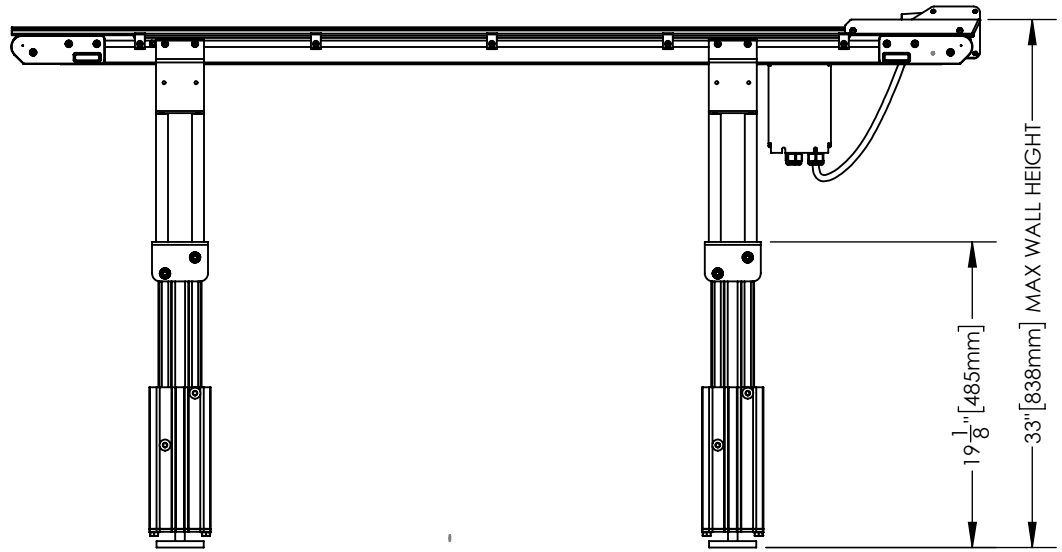
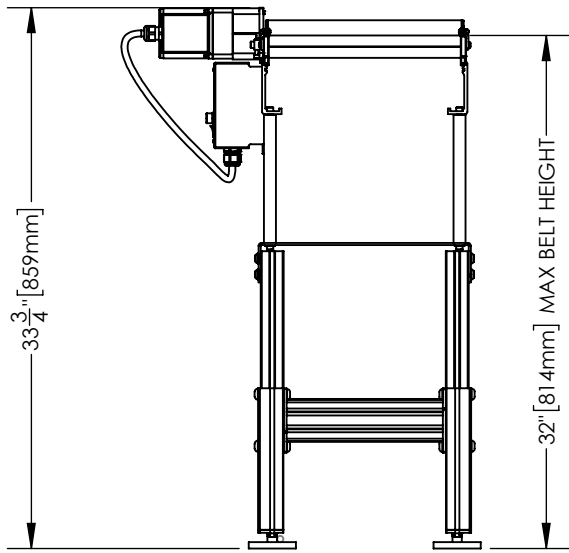


TITLE:  
FEED CONVEYOR & EXTENSION  
KIT

	NAME	DATE
DRAWN BY:	J. SCHULZ	27/06/2019

PROPRIETARY AND CONFIDENTIAL  
THE INFORMATION CONTAINED IN THIS  
DRAWING IS THE SOLE PROPERTY OF  
KEIRTON INC. ANY REPRODUCTION  
IN PART OR AS A WHOLE WITHOUT THE  
WRITTEN PERMISSION OF KEIRTON INC.  
IS PROHIBITED.

SIZE	DWG. NO.	REV
<b>A</b>	27-0006 & 26-0001	01
SCALE: 1:16		SHEET 1 OF 1



TITLE:  
QC CONVEYOR & EXTENSION  
KIT

	NAME	DATE
	J. SCHULZ	2019-06-27

PROPRIETARY AND CONFIDENTIAL  
THE INFORMATION CONTAINED IN THIS  
DRAWING IS THE SOLE PROPERTY OF  
KEIRTON INC. ANY REPRODUCTION  
IN PART OR AS A WHOLE WITHOUT THE  
WRITTEN PERMISSION OF KEIRTON INC.  
IS PROHIBITED.

SIZE	DWG. NO.	REV
<b>A</b>	27-0006 & 26-0002	01

SCALE: 1:12      SHEET 1 OF 1