

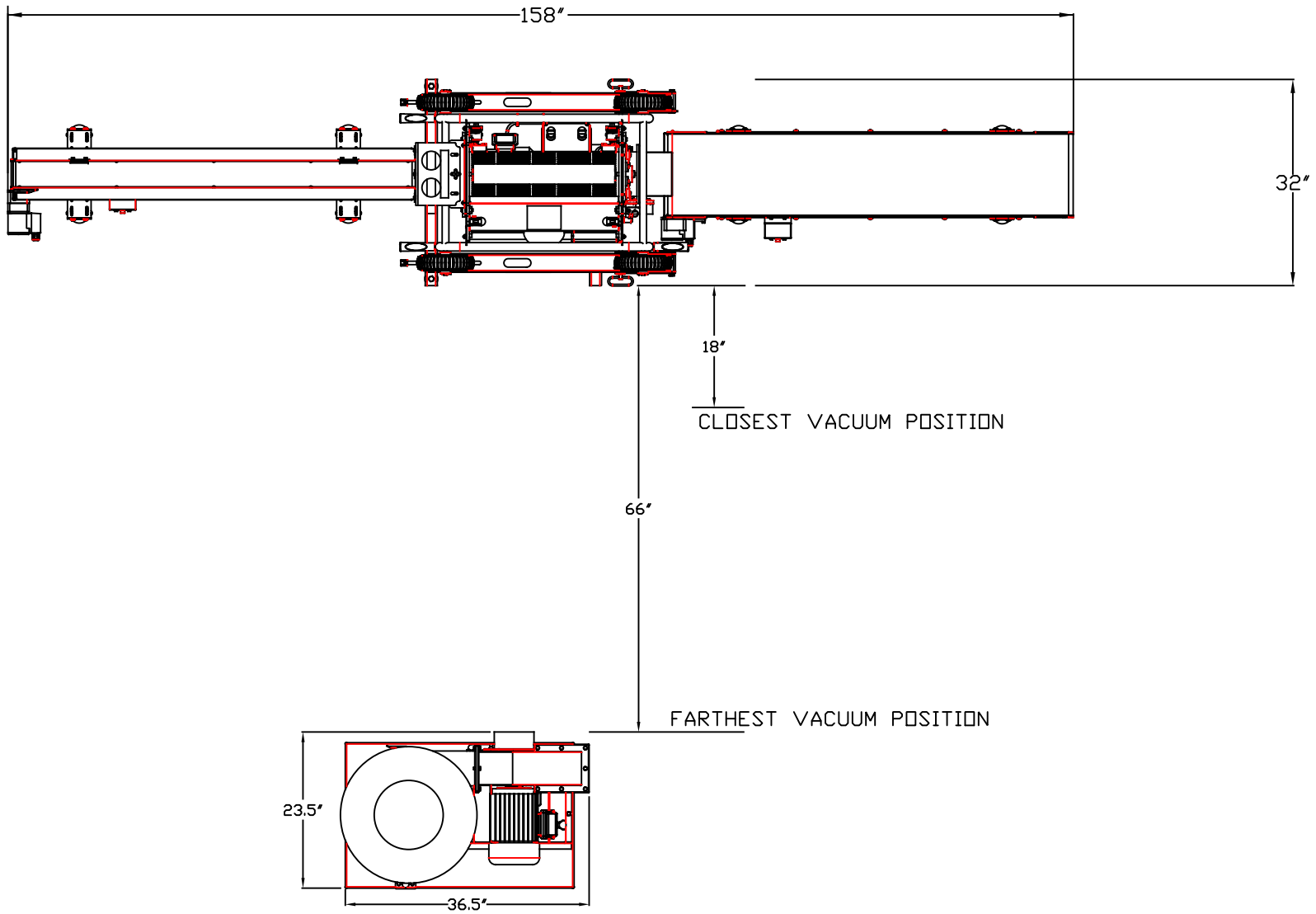
UNLESS OTHERWISE SPECIFIED:  
DIMENSIONS ARE IN INCHES  
(BRACKETED DIMS) ARE IN  
MILLIMETERS

TOLERANCES:  
LINEAR: INCHES    ANGULAR:  
X            ± 0.06" X            ± 0.5°  
XX          ± 0.03" XX          ± 0.1°  
XXX        ± 0.01" XXX        ± 0.05°  
XXXX       ± 0.005"  
FRACTIONS    = ± 1/32"

PROPRIETARY AND CONFIDENTIAL  
THE INFORMATION CONTAINED IN THIS  
DRAWING IS THE SOLE PROPERTY OF  
KEIRTON MANUFACTURING LTD. ANY  
REPRODUCTION IN PART OR AS A WHOLE  
WITHOUT THE WRITTEN PERMISSION OF  
KEIRTON MANUFACTURING LTD. IS  
PROHIBITED.

	NAME	DATE
DRAWN BY:	B. ANDERSON	06/04/2017
CHECKED BY:		
MATERIAL:	N/A	
FINISH:	N/A	
PART GROUP:	T4	
COMMENTS:	DEBURR AND BREAK ALL SHARP EDGES	
DO NOT SCALE DRAWING		

TITLE: SINGLE T2 WITH CONVEYOR		
SIZE	DWG. NO.	REV
A	FLOORPLAN	00
SCALE: 1:10	SHEET 1 OF 1	



UNLESS OTHERWISE SPECIFIED:  
DIMENSIONS ARE IN INCHES  
(BRACKETED DIMS) ARE IN  
MILLIMETERS

TOLERANCES:  
LINEAR: INCHES ANGULAR:  
X ± 0.06" X ± 0.5°  
XX ± 0.03" XX ± 0.1°  
XXX ± 0.01" XXX ± 0.05°  
X.XXX ± 0.005"  
FRACTIONS ± 1/32"

PROPRIETARY AND CONFIDENTIAL  
THE INFORMATION CONTAINED IN THIS  
DRAWING IS THE SOLE PROPERTY OF  
KEIRTON MANUFACTURING LTD. ANY  
REPRODUCTION IN PART OR AS A WHOLE  
WITHOUT THE WRITTEN PERMISSION OF  
KEIRTON MANUFACTURING LTD. IS  
PROHIBITED.

	NAME	DATE
DRAWN BY:	B. ANDERSON	06/04/2017
CHECKED BY:		
MATERIAL:	N/A	
FINISH:	N/A	
PART GROUP:	T4	

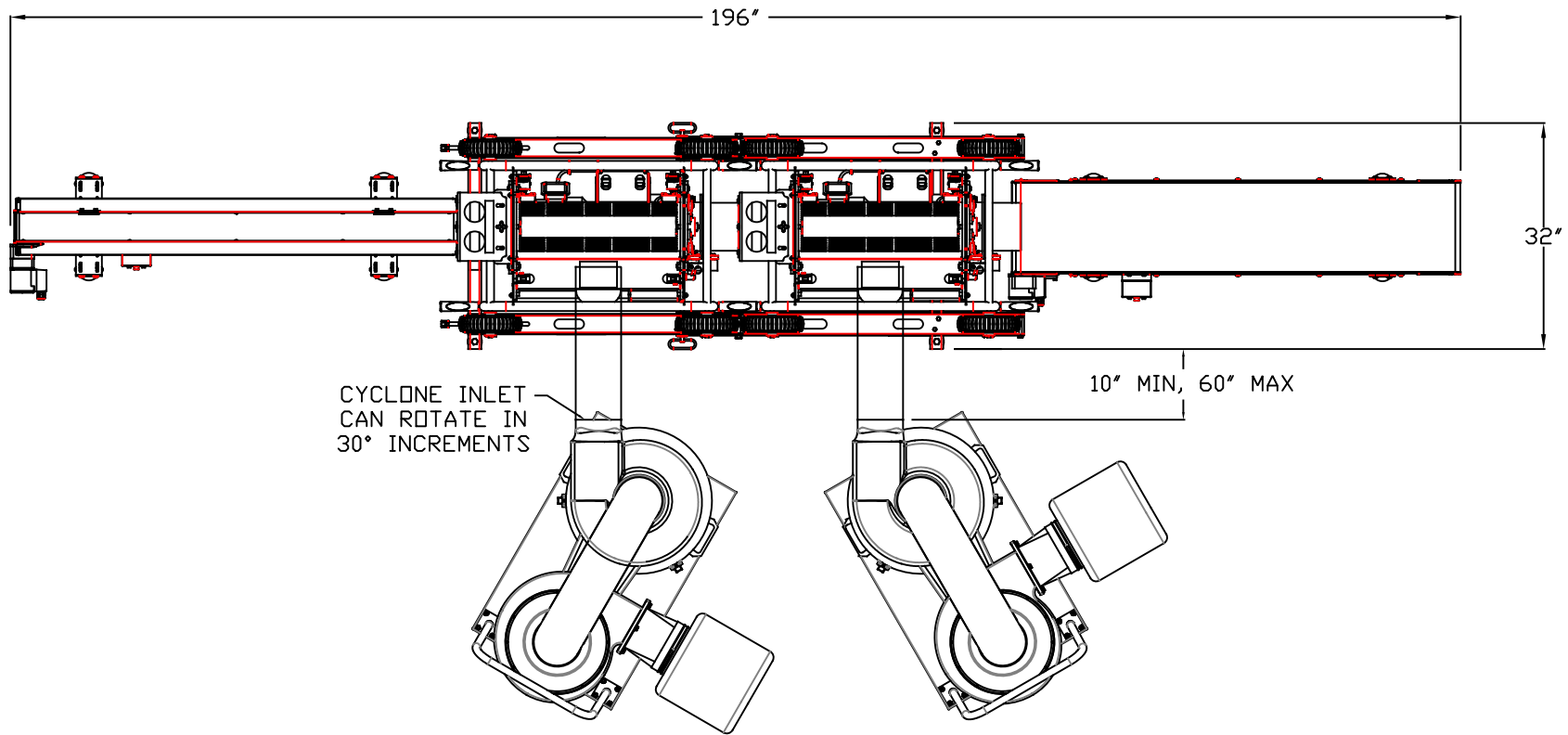


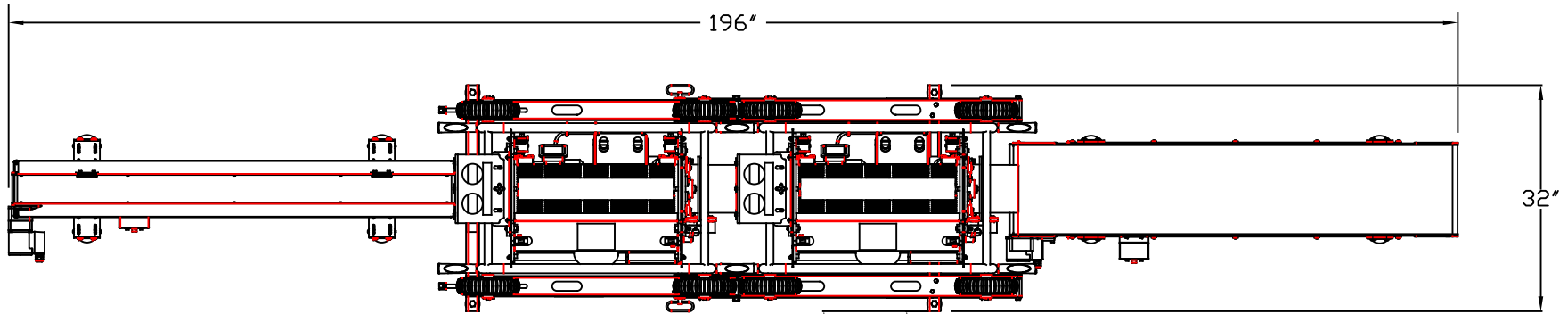
TITLE:  
TANDEM T2's WITH CONVEYOR

COMMENTS:  
DEBURR AND BREAK ALL  
SHARP EDGES  
DO NOT SCALE DRAWING

SIZE	DWG. NO.	REV
A	FLOORPLAN	00
SCALE: 1:10		SHEET 1 OF 1

# T2 TANDEM CONVEYOR FLOOR PLAN



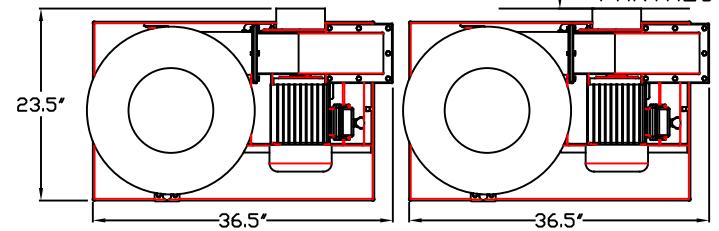


CLOSEST VACUUM POSITION

18'

66'

FARTHEST VACUUM POSITION



UNLESS OTHERWISE SPECIFIED:  
DIMENSIONS ARE IN INCHES  
(BRACKETED DIMS) ARE IN  
MILLIMETERS

TOLERANCES:  
LINEAR: INCHES ANGULAR:  
X ± 0.06" X ± 0.5°  
XX ± 0.03" XX ± 0.1°  
XXX ± 0.01" XXX ± 0.05°  
X.XXX ± 0.005"  
FRACTIONS = ± 1/32"

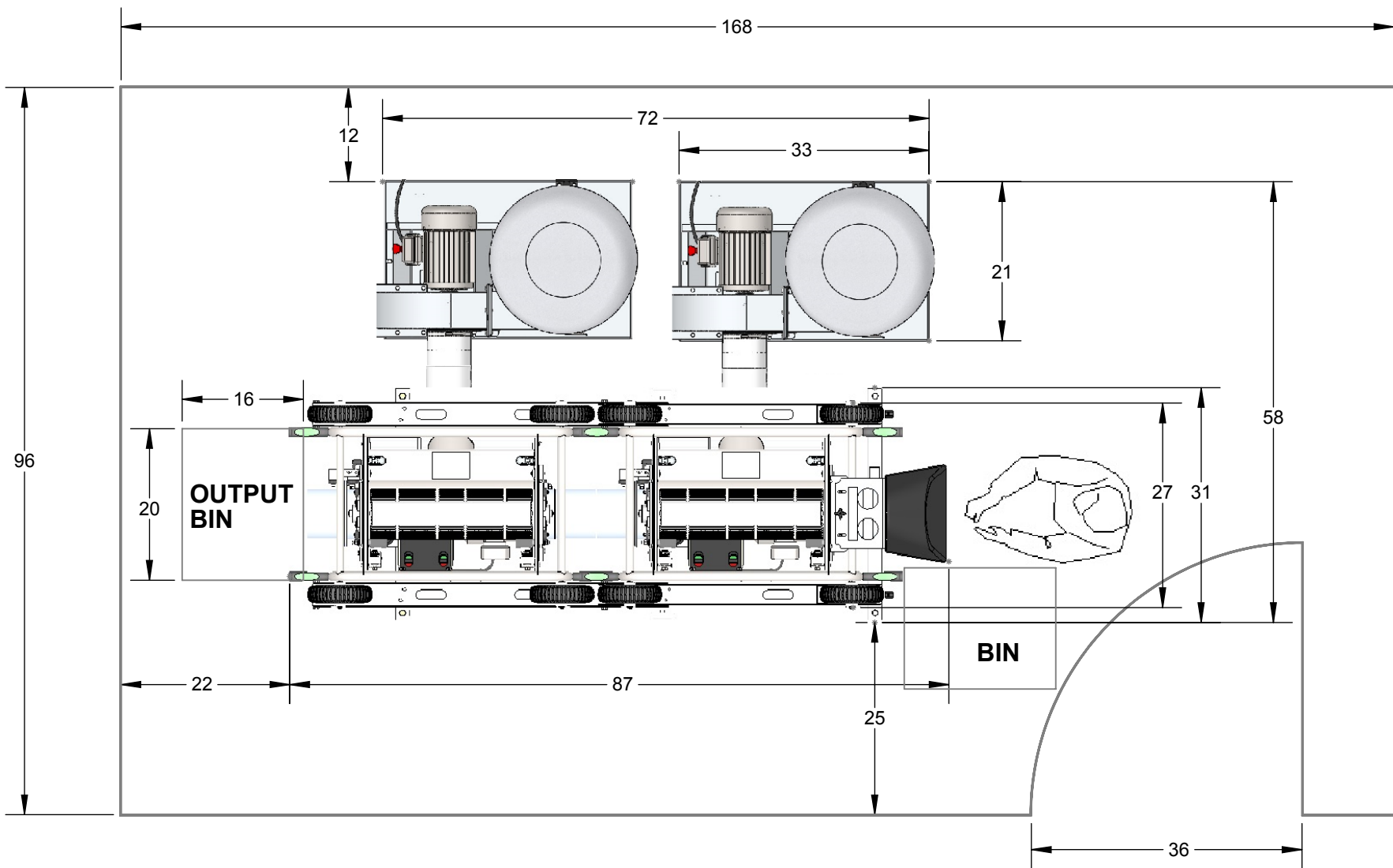
PROPRIETARY AND CONFIDENTIAL  
THE INFORMATION CONTAINED IN THIS  
DRAWING IS THE SOLE PROPERTY OF  
KEIRTON MANUFACTURING LTD. ANY  
REPRODUCTION IN PART OR AS A WHOLE  
WITHOUT THE WRITTEN PERMISSION OF  
KEIRTON MANUFACTURING LTD. IS  
PROHIBITED.

	NAME	DATE
DRAWN BY:	B. ANDERSON	06/04/2017
CHECKED BY:		
MATERIAL:	N/A	
FINISH:	N/A	
PART GROUP:	T4	
COMMENTS:	DEBURR AND BREAK ALL SHARP EDGES	
DO NOT SCALE DRAWING		



TITLE:  
3 TANDEM T4, 1 TRIMSAVER

SIZE	DWG. NO.	REV
A	FLOORPLAN	00
SCALE: 1:10		SHEET 1 OF 1



**ELECTRICAL REQUIREMENTS:**

**2 - 15A/ 120V CIRCUIT  
NEMA 5-15R**

**2 - 15A/ 240V CIRCUIT  
NEMA 6-15R**

UNLESS OTHERWISE SPECIFIED:  
 DIMENSIONS ARE IN INCHES  
 TOLERANCES:  
 ANGLES = ±1.0°  
 X = ± 0.030  
 X.X = ± 0.025  
 X.XX = ± 0.010  
 X.XXX = ± 0.005  
 FRACTION = ± 1/16"

NAME	DATE
DRAWN BY: A. SAMPER	11/04/2014
CHECKED BY:	
MATERIAL:	N/A
FINISH:	N/A
PART GROUP:	

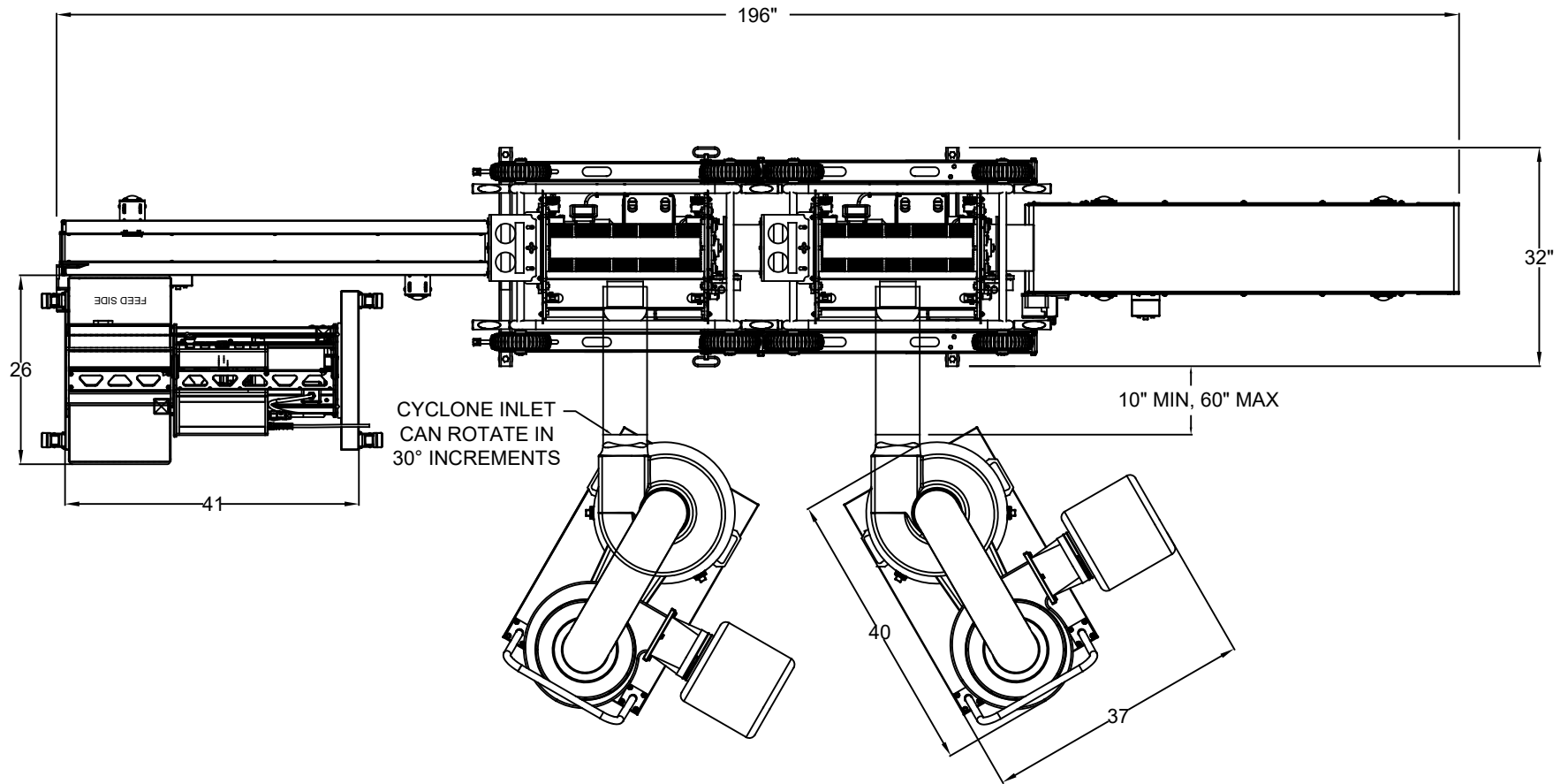



TITLE:  
**X2-T2 FLOOR PLAN (ROOM2)**

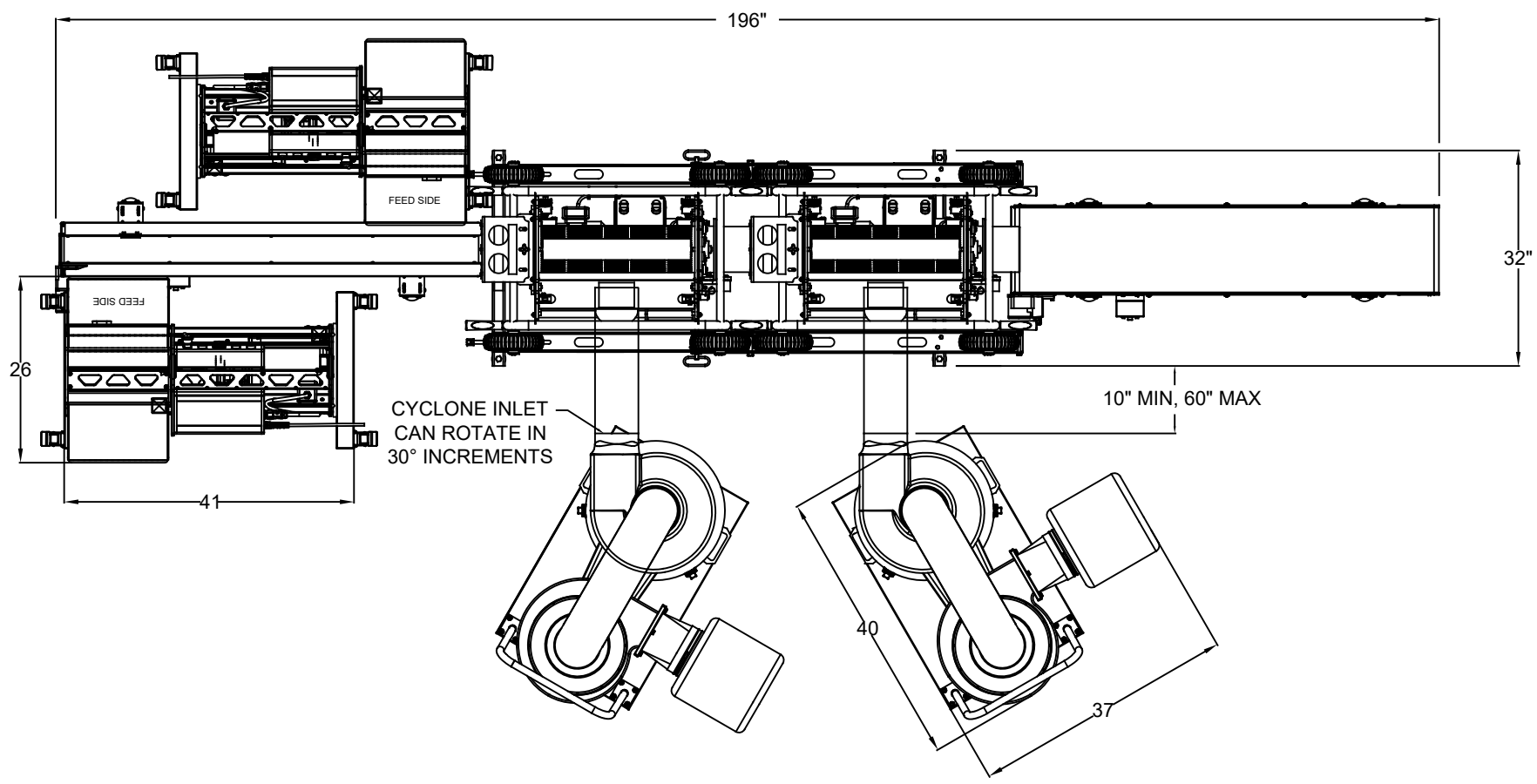
**PROPRIETARY AND CONFIDENTIAL**  
 THE INFORMATION CONTAINED IN THIS DRAWING IS THE SOLE PROPERTY OF KEIRTON MANUFACTURING LTD. ANY REPRODUCTION IN PART OR AS A WHOLE WITHOUT THE WRITTEN PERMISSION OF KEIRTON MANUFACTURING LTD. IS PROHIBITED.

SIZE	DWG. NO.	REV
<b>A</b>	<b>2-T2-R2</b>	

SCALE: 1:20	SHEET 1 OF 1
-------------	--------------



 <b>KEIRTON</b>		
TITLE: TANDEM T2, B4, CS18, CONVEYORS		
SIZE A	DWG. NO. T2 FLOORPLAN 2	REV 00
SCALE: 1:18		SHEET 1 OF 1



TITLE:  
TANDEM T2, B4, CS18, CONVEYORS

SIZE	DWG. NO.	REV
A	T2 FLOORPLAN 2	00

SCALE: 1:18      SHEET 1 OF 1