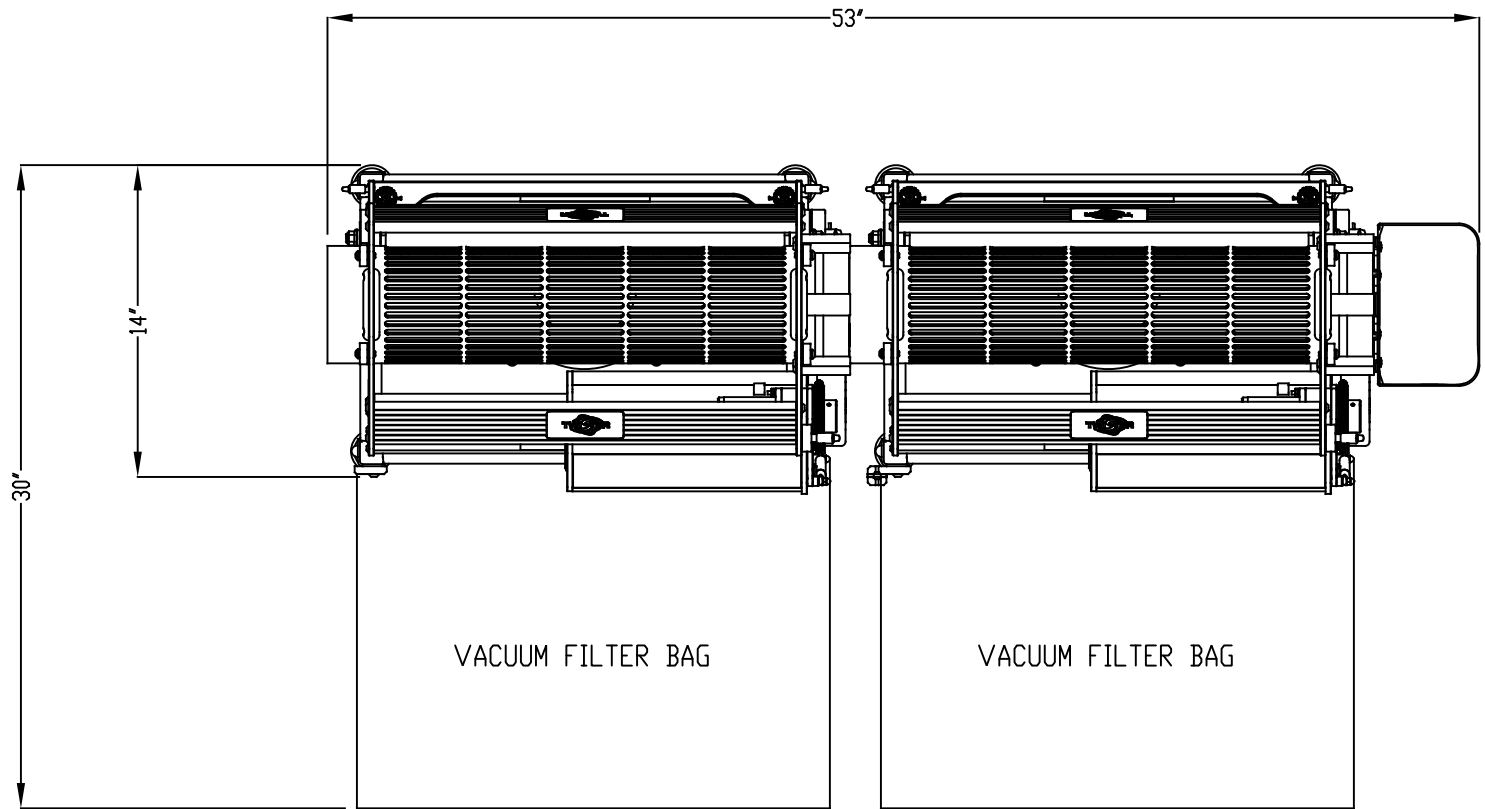


<p>UNLESS OTHERWISE SPECIFIED: DIMENSIONS ARE IN INCHES [BRACKETED DIMS] ARE IN MILLIMETERS</p> <p>TOLERANCES: LINEAR: INCHES ANGULAR: ± 0.5° X = ± 0.030" [± .75] X.X = ± 0.020" [± .50] X.XX = ± 0.010" [± .25] X.XXX = ± 0.005" [± .10] FRACTIONS = ± 1/16"</p> <p>PROPRIETARY AND CONFIDENTIAL THE INFORMATION CONTAINED IN THIS DRAWING IS THE SOLE PROPERTY OF KEIRTON INC. ANY REPRODUCTION IN PART OR AS A WHOLE WITHOUT THE WRITTEN PERMISSION OF KEIRTON INC. IS PROHIBITED.</p>		NAME	DATE			
	DRAWN BY:	B. ANDERSON	06/04/2017			
	CHECKED BY:					
	MATERIAL:	N/A				
FINISH:	N/A			TITLE:		
PART GROUP:	T4			SINGLE T4 AND CONVEYORS		
COMMENTS:	DEBURR AND BREAK ALL SHARP EDGES		DO NOT SCALE DRAWING	SIZE	DWG. NO.	REV
				A	T4 FLOORPLAN 1	00
				SCALE: 1:15		SHEET 1 OF 1



UNLESS OTHERWISE SPECIFIED:
DIMENSIONS ARE IN INCHES
BRACKETED DIMS ARE IN
MILLIMETERS

TOLERANCES:
 LINEAR: INCHES ANGULAR: ± 0.5°
 X ± 0.030" [±.75]
 XX ± 0.020" [±.50]
 XXX ± 0.010" [±.25]
 XXXX ± 0.005" [±.10]
 FRACTIONS = ± 1/16"

PROPRIETARY AND CONFIDENTIAL
 THE INFORMATION CONTAINED IN THIS
 DRAWING IS THE SOLE PROPERTY OF
 KEIRTON INC. ANY REPRODUCTION
 IN PART OR AS A WHOLE WITHOUT THE
 WRITTEN PERMISSION OF KEIRTON INC.
 IS PROHIBITED.



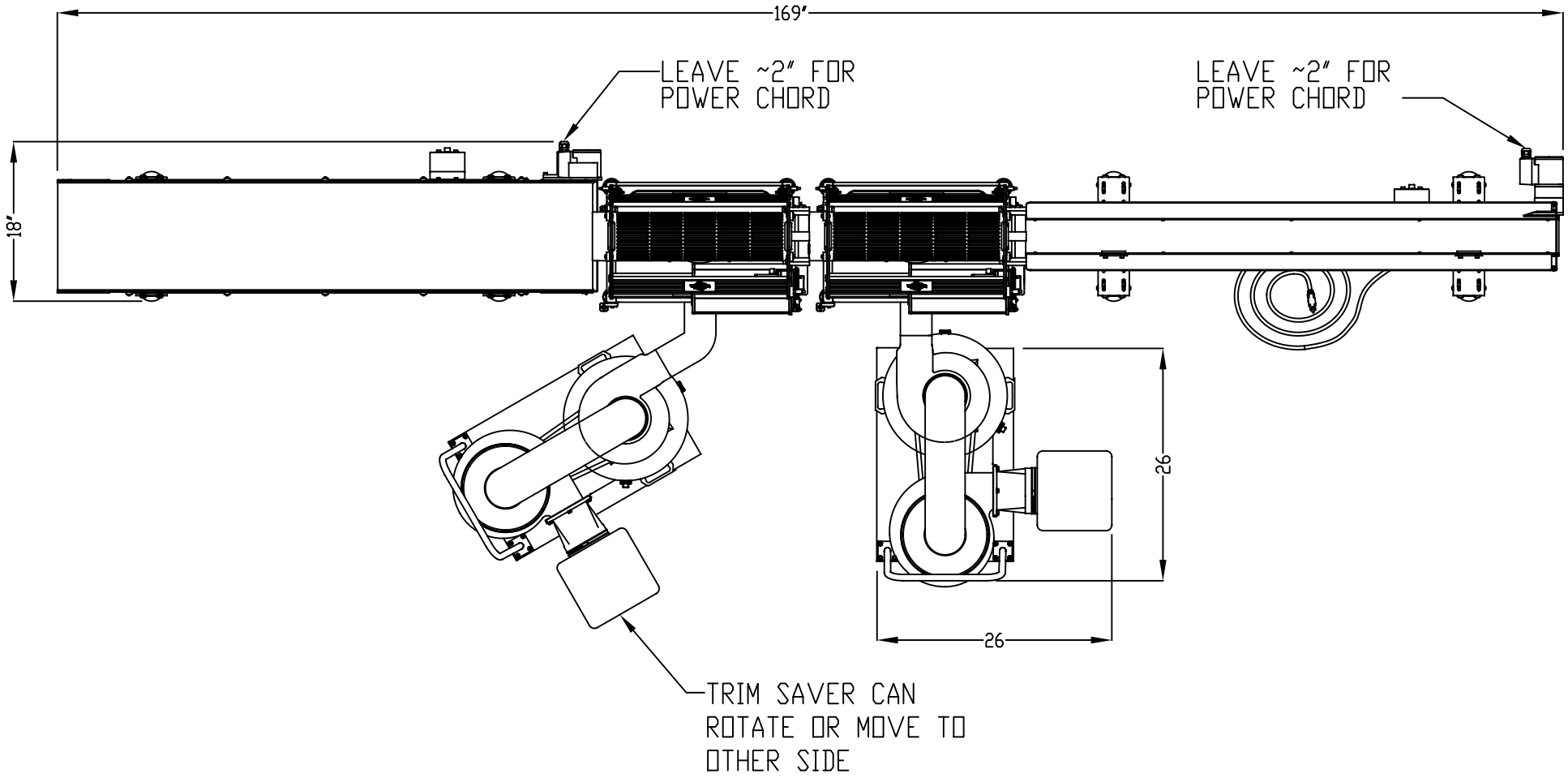
NAME	DATE
DRAWN BY: B. ANDERSON	06/04/2017
CHECKED BY:	
MATERIAL: N/A	
FINISH: N/A	
PART GROUP:	T4



TITLE:
TANDEM T4 FLOORPLAN

COMMENTS:
 DEBURR AND BREAK ALL
 SHARP EDGES
 DO NOT SCALE DRAWING

SIZE	DWG. NO.	REV
A	T4 FLOORPLAN 3	00
SCALE: 1:18	SHEET 1 OF 1	



UNLESS OTHERWISE SPECIFIED:
DIMENSIONS ARE IN INCHES
(BRACKETED DIMS) ARE IN
MILLIMETERS

TOLERANCES:
LINEAR: INCHES ANGULAR: ± 0.5°
X ± 0.030" [±.75]
XX ± 0.020" [±.50]
XXX ± 0.010" [±.25]
X.XXX ± 0.005" [±.10]
FRACTIONS ± 1/16"

PROPRIETARY AND CONFIDENTIAL
THE INFORMATION CONTAINED IN THIS
DRAWING IS THE SOLE PROPERTY OF
KEIRTON INC. ANY REPRODUCTION
IN PART OR AS A WHOLE WITHOUT THE
WRITTEN PERMISSION OF KEIRTON INC.
IS PROHIBITED.

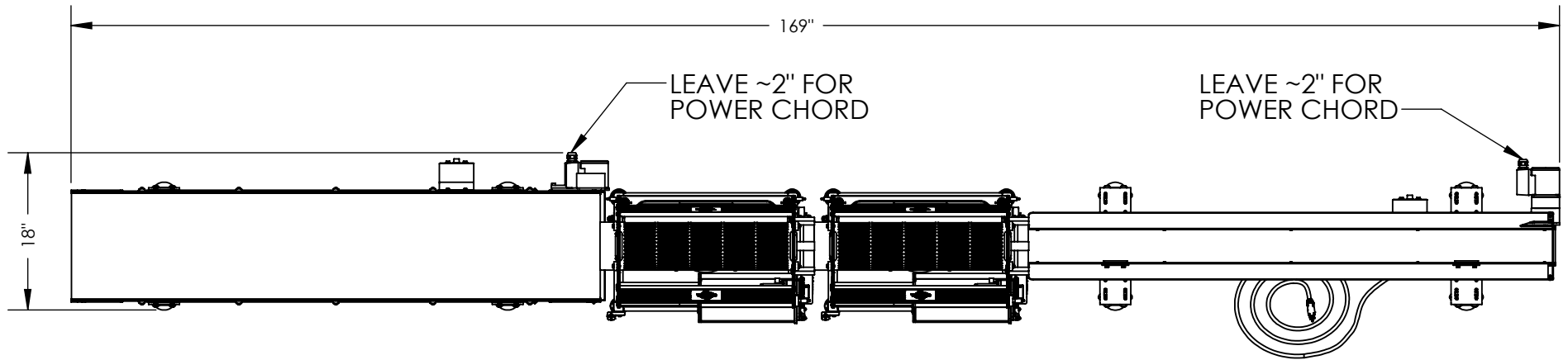
	NAME	DATE
DRAWN BY:	B. ANDERSON	06/04/2017
CHECKED BY:		
MATERIAL:	N/A	
FINISH:	N/A	
PART GROUP:	T4	



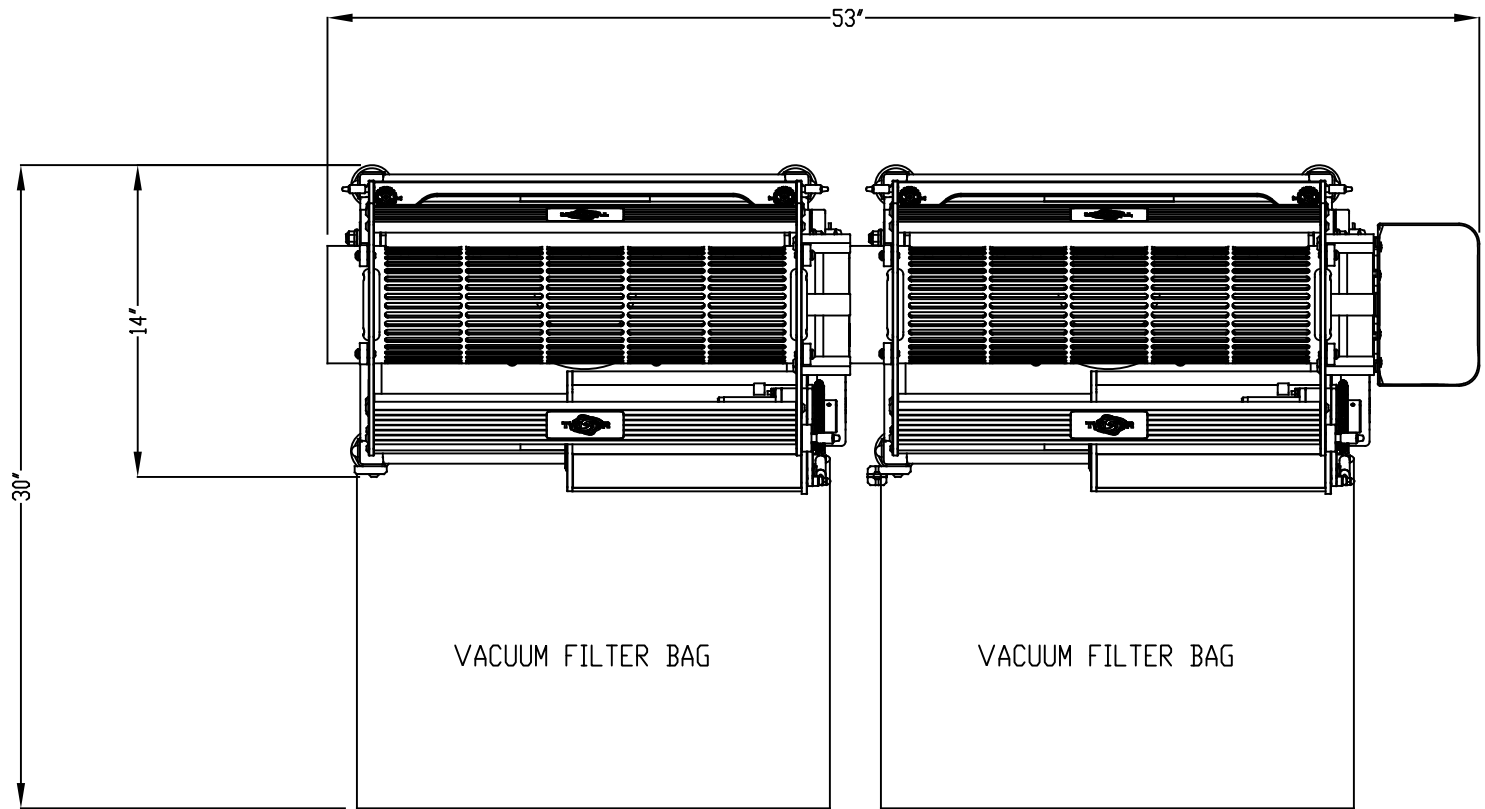
TITLE:
DOUBLE T4 AND CONVEYORS

COMMENTS:
DEBURR AND BREAK ALL
SHARP EDGES
DO NOT SCALE DRAWING

SIZE DWG. NO.	REV
A T4 FLOORPLAN 2	00
SCALE: 1:18	SHEET 1 OF 1



<p>UNLESS OTHERWISE SPECIFIED: DIMENSIONS ARE IN INCHES [BRACKETED DIMS] ARE IN MILLIMETERS</p> <p>TOLERANCES: LINEAR: INCHES ANGULAR: ± 0.5° X = ± 0.030" [±.75] X.X = ± 0.020" [±.50] X.XX = ± 0.010" [±.25] X.XXX = ± 0.005" [±.10] FRACTIONS = ± 1/16"</p> <p>PROPRIETARY AND CONFIDENTIAL THE INFORMATION CONTAINED IN THIS DRAWING IS THE SOLE PROPERTY OF KEIRTON INC. ANY REPRODUCTION IN PART OR AS A WHOLE WITHOUT THE WRITTEN PERMISSION OF KEIRTON INC. IS PROHIBITED.</p>		NAME	DATE			
	DRAWN BY:	B. ANDERSON	06/04/2017			
	CHECKED BY:					
	MATERIAL:	N/A				
FINISH:	N/A			TITLE:		
PART GROUP:	T4			DOUBLE T4 AND CONVEYORS		
COMMENTS:	DEBURR AND BREAK ALL SHARP EDGES			SIZE	DWG. NO.	REV
DO NOT SCALE DRAWING				A	T4 FLOORPLAN 2	00
				SCALE: 1:18		SHEET 1 OF 1



UNLESS OTHERWISE SPECIFIED:
DIMENSIONS ARE IN INCHES
BRACKETED DIMS ARE IN
MILLIMETERS

TOLERANCES:
 LINEAR: INCHES ANGULAR: ± 0.5°
 X ± 0.030" [±.75]
 XX ± 0.020" [±.50]
 XXX ± 0.010" [±.25]
 XXXX ± 0.005" [±.10]
 FRACTIONS = ± 1/16"

PROPRIETARY AND CONFIDENTIAL
 THE INFORMATION CONTAINED IN THIS
 DRAWING IS THE SOLE PROPERTY OF
 KEIRTON INC. ANY REPRODUCTION
 IN PART OR AS A WHOLE WITHOUT THE
 WRITTEN PERMISSION OF KEIRTON INC.
 IS PROHIBITED.



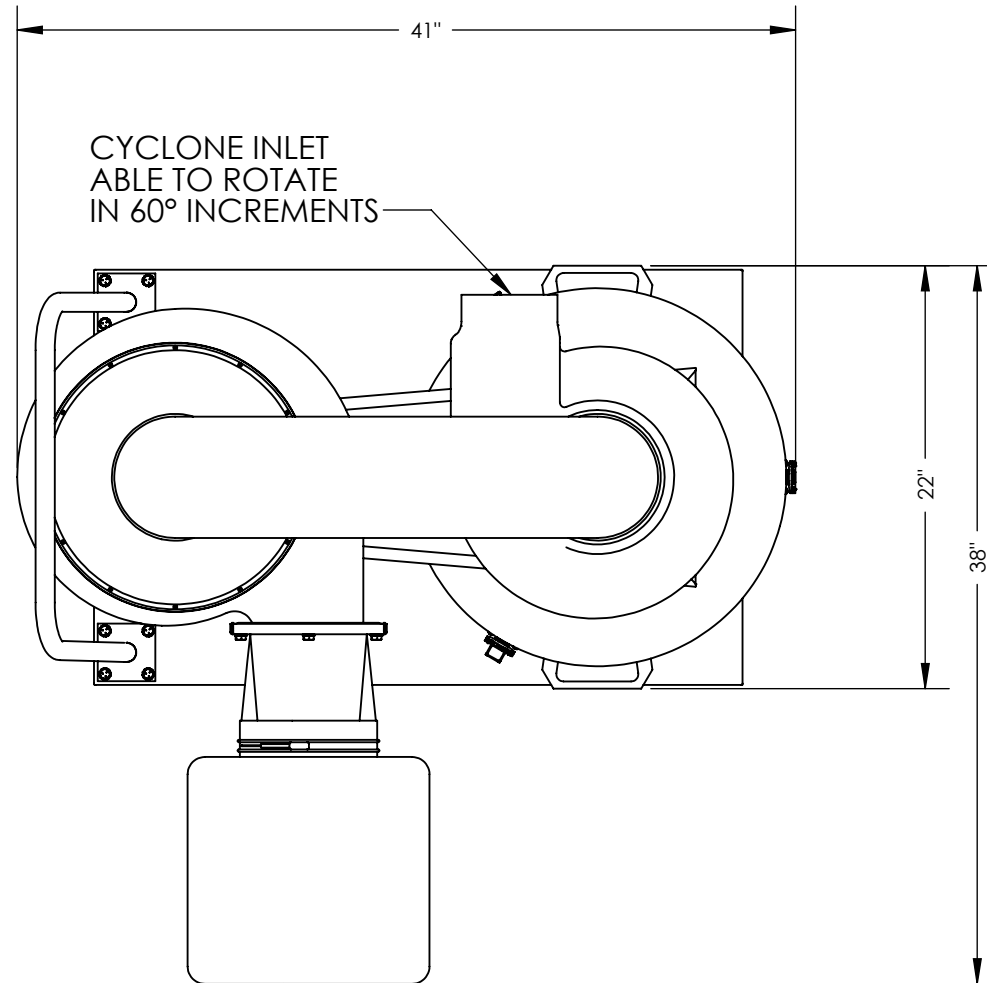
NAME	DATE
DRAWN BY: B. ANDERSON	06/04/2017
CHECKED BY:	
MATERIAL: N/A	
FINISH: N/A	
PART GROUP:	T4



TITLE:
TANDEM T4 FLOORPLAN

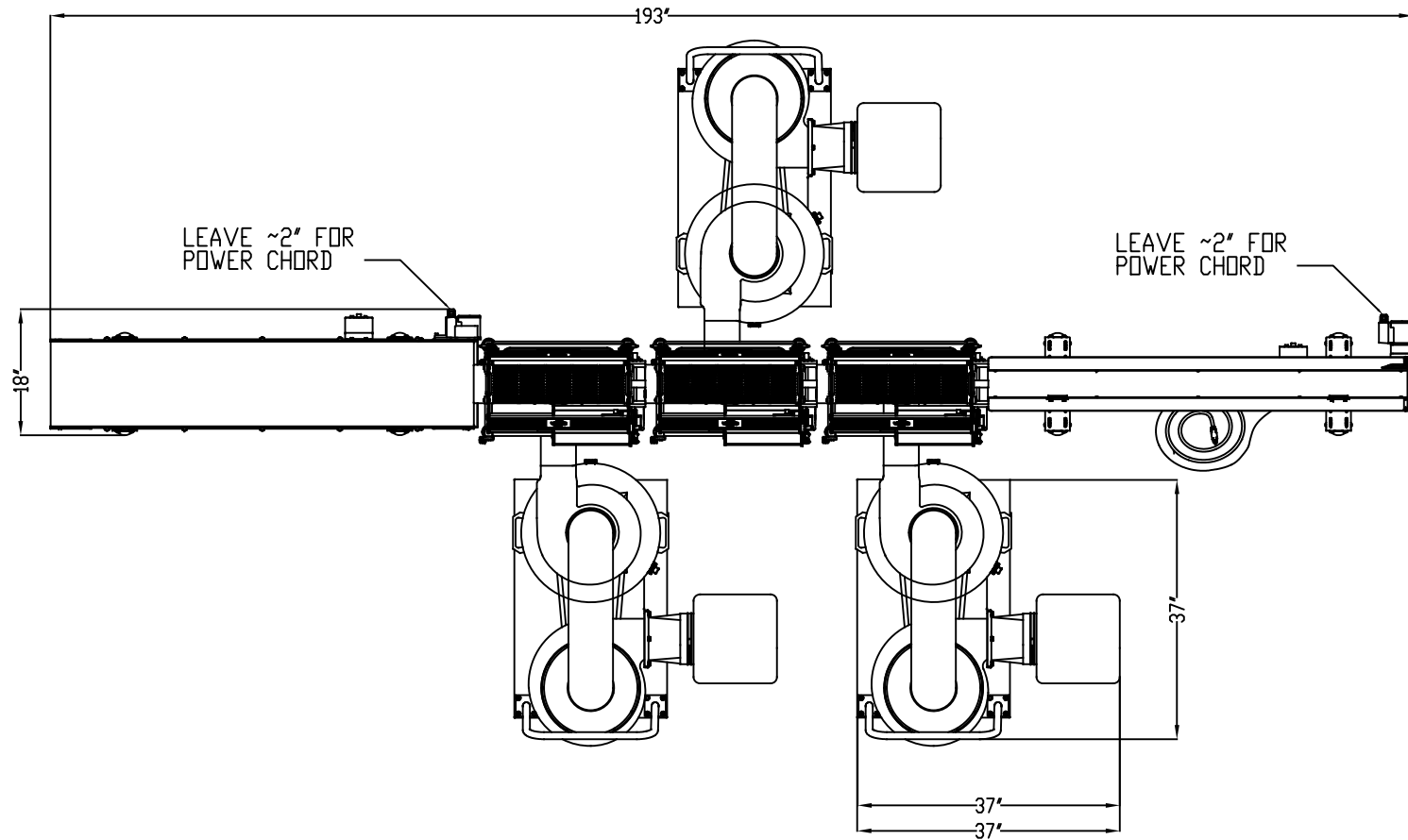
COMMENTS:
 DEBURR AND BREAK ALL
 SHARP EDGES
 DO NOT SCALE DRAWING

SIZE	DWG. NO.	REV
A	T4 FLOORPLAN 3	00
SCALE: 1:18	SHEET 1 OF 1	



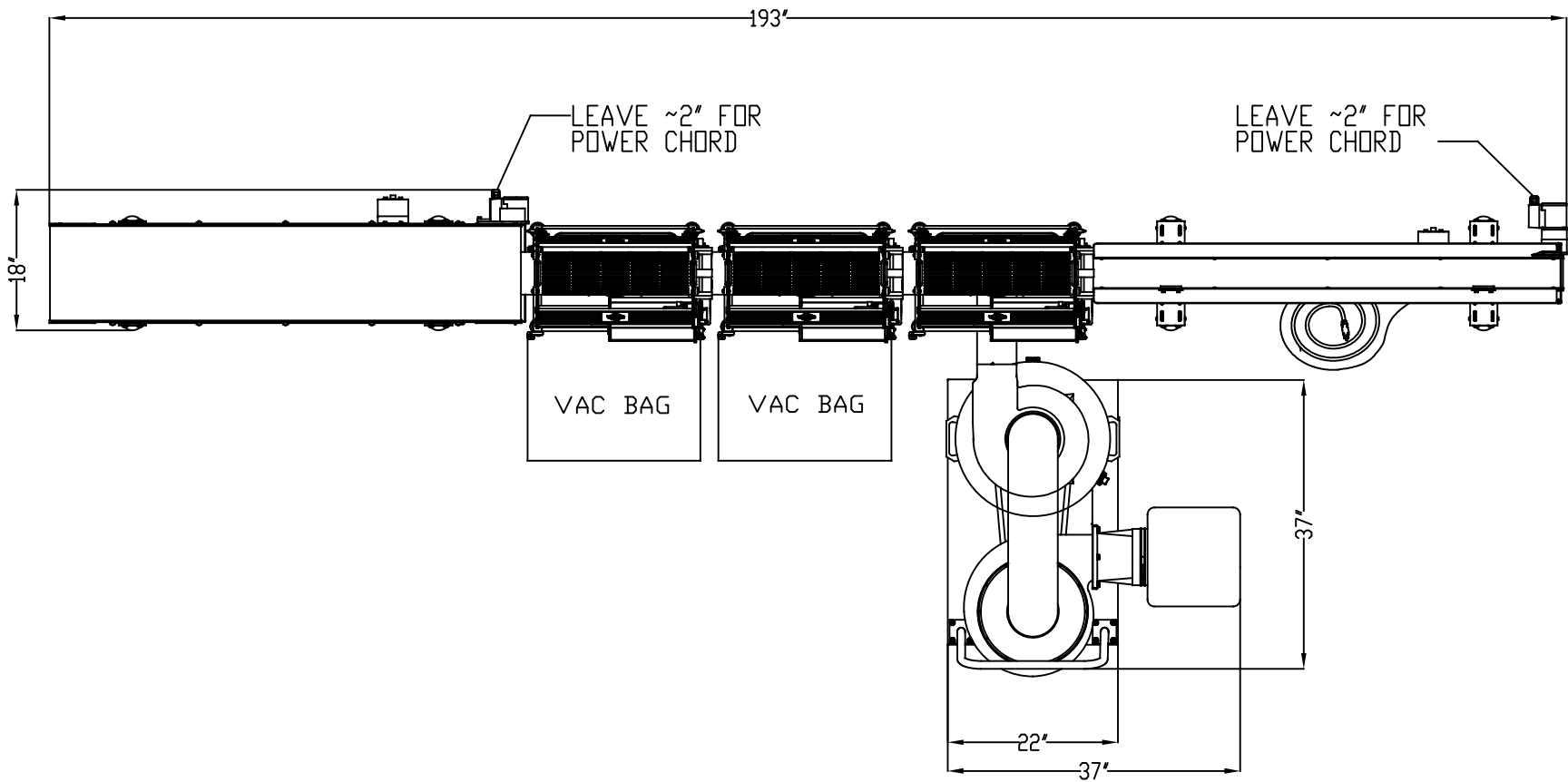
NOTE: HOSE ALLOWS A MAXIMUM OF 50" BETWEEN THE TRIM SAVER INLET AND T4 TWISTER

<p>UNLESS OTHERWISE SPECIFIED: DIMENSIONS ARE IN INCHES [BRACKETED DIMS] ARE IN MILLIMETERS</p> <p>TOLERANCES: LINEAR: INCHES ANGULAR: ± 0.5° X = ± 0.030" [± .75] X.X = ± 0.020" [± .50] X.XX = ± 0.010" [± .25] X.XXX = ± 0.005" [± .10] FRACTIONS = ± 1/16"</p> <p>PROPRIETARY AND CONFIDENTIAL THE INFORMATION CONTAINED IN THIS DRAWING IS THE SOLE PROPERTY OF KEIRTON INC. ANY REPRODUCTION IN PART OR AS A WHOLE WITHOUT THE WRITTEN PERMISSION OF KEIRTON INC. IS PROHIBITED.</p>		NAME	DATE		
	DRAWN BY: B. ANDERSON	06/04/2017	TITLE: CS12 TRIM SAVER FLOOR PLAN		
	CHECKED BY:		MATERIAL: N/A	FINISH: N/A	SIZE DWG. NO. REV A CS12 FLOORPLAN 00
	PART GROUP:	T4	COMMENTS: DEBURR AND BREAK ALL SHARP EDGES DO NOT SCALE DRAWING		



NOTE: TRIM SAVER INLET CAN BE A
 MAXIMUM OF 50" FROM T4 OUTLET

<small>UNLESS OTHERWISE SPECIFIED: DIMENSIONS ARE IN INCHES [BRACKETED DIMS] ARE IN MILLIMETERS</small> <small>TOLERANCES: LINEAR: INCHES ANGULAR: ± 0.5° X ± 0.030" [±.75] XX ± 0.020" [±.50] XXX ± 0.010" [±.25] XXXX ± 0.005" [±.10] FRACTIONS ± 1/16"</small>		NAME	DATE	
		DRAWN BY: B. ANDERSON	06/04/2017	
		CHECKED BY:		
		MATERIAL: N/A		
		FINISH: N/A		TITLE:
		PART GROUP: T4		3 TANDEM T4, 1 TRIMSAVER
<small>PROPRIETARY AND CONFIDENTIAL THE INFORMATION CONTAINED IN THIS DRAWING IS THE SOLE PROPERTY OF KEIRTON INC. ANY REPRODUCTION IN PART OR AS A WHOLE WITHOUT THE WRITTEN PERMISSION OF KEIRTON INC. IS PROHIBITED.</small>		COMMENTS: DEBURR AND BREAK ALL SHARP EDGES DO NOT SCALE DRAWING		SIZE: DWG. NO. REV A FLOORPLAN 00
				SCALE: 1:10



NOTE: TRIM SAVER INLET CAN BE A MAXIMUM OF 50" FROM T4 OUTLET

UNLESS OTHERWISE SPECIFIED:
DIMENSIONS ARE IN INCHES
(BRACKETED DIMS) ARE IN
MILLIMETERS

TOLERANCES:
LINEAR: INCHES ANGULAR: ± 0.5°
X ± 0.030" [± .75]
XX ± 0.020" [± .50]
XXX ± 0.010" [± .25]
X.XXX ± 0.005" [± .10]
FRACTIONS = ± 1/16"

PROPRIETARY AND CONFIDENTIAL
THE INFORMATION CONTAINED IN THIS
DRAWING IS THE SOLE PROPERTY OF
KEIRTON INC. ANY REPRODUCTION
IN PART OR AS A WHOLE WITHOUT THE
WRITTEN PERMISSION OF KEIRTON INC.
IS PROHIBITED.

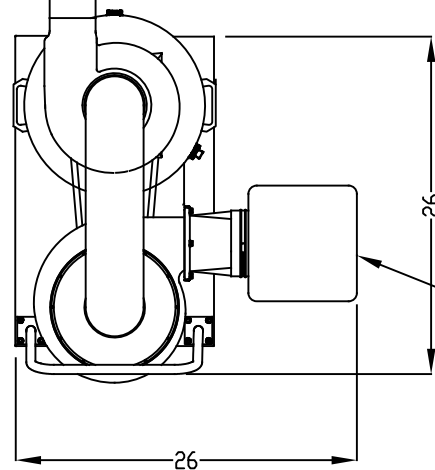
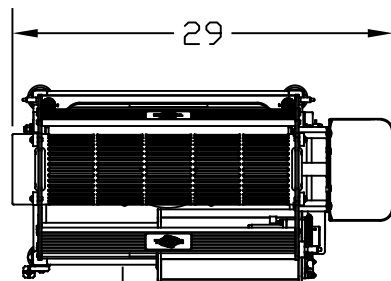
NAME	DATE
DRAWN BY: B. ANDERSON	06/04/2017
CHECKED BY:	
MATERIAL: N/A	
FINISH: N/A	
PART GROUP:	T4

COMMENTS:
DEBURR AND BREAK ALL
SHARP EDGES
DO NOT SCALE DRAWING



TITLE:
3 TANDEM T4, 1 TRIMSAVER

SIZE: A	DWG. NO. FLOORPLAN	REV: 00
SCALE: 1:10		SHEET 1 OF 1



TRIM SAVER CAN
ROTATE OR MOVE TO
OTHER SIDE

UNLESS OTHERWISE SPECIFIED:
DIMENSIONS ARE IN INCHES
(BRACKETED DIMS ARE IN
MILLIMETERS)

TOLERANCES:
LINEAR: INCHES ANGULAR: ± 0.5°
X ± 0.030" [±.75]
XX ± 0.020" [±.50]
XXX ± 0.010" [±.25]
X.XXX ± 0.005" [±.10]
FRACTIONS = ± 1/16"

PROPRIETARY AND CONFIDENTIAL
THE INFORMATION CONTAINED IN THIS
DRAWING IS THE SOLE PROPERTY OF
KEIRTON INC. ANY REPRODUCTION
IN PART OR AS A WHOLE WITHOUT THE
WRITTEN PERMISSION OF KEIRTON INC.
IS PROHIBITED.

	NAME	DATE
DRAWN BY:	B. ANDERSON	06/04/2017
CHECKED BY:		
MATERIAL:	N/A	
FINISH:	N/A	
PART GROUP:	T4	

COMMENTS:
DEBURR AND BREAK ALL
SHARP EDGES
DO NOT SCALE DRAWING



TITLE:
SINGLE T4 AND CONVEYORS

SIZE	DWG. NO.	REV
A	T4 FLOORPLAN 1	00
SCALE: 1:15		SHEET 1 OF 1