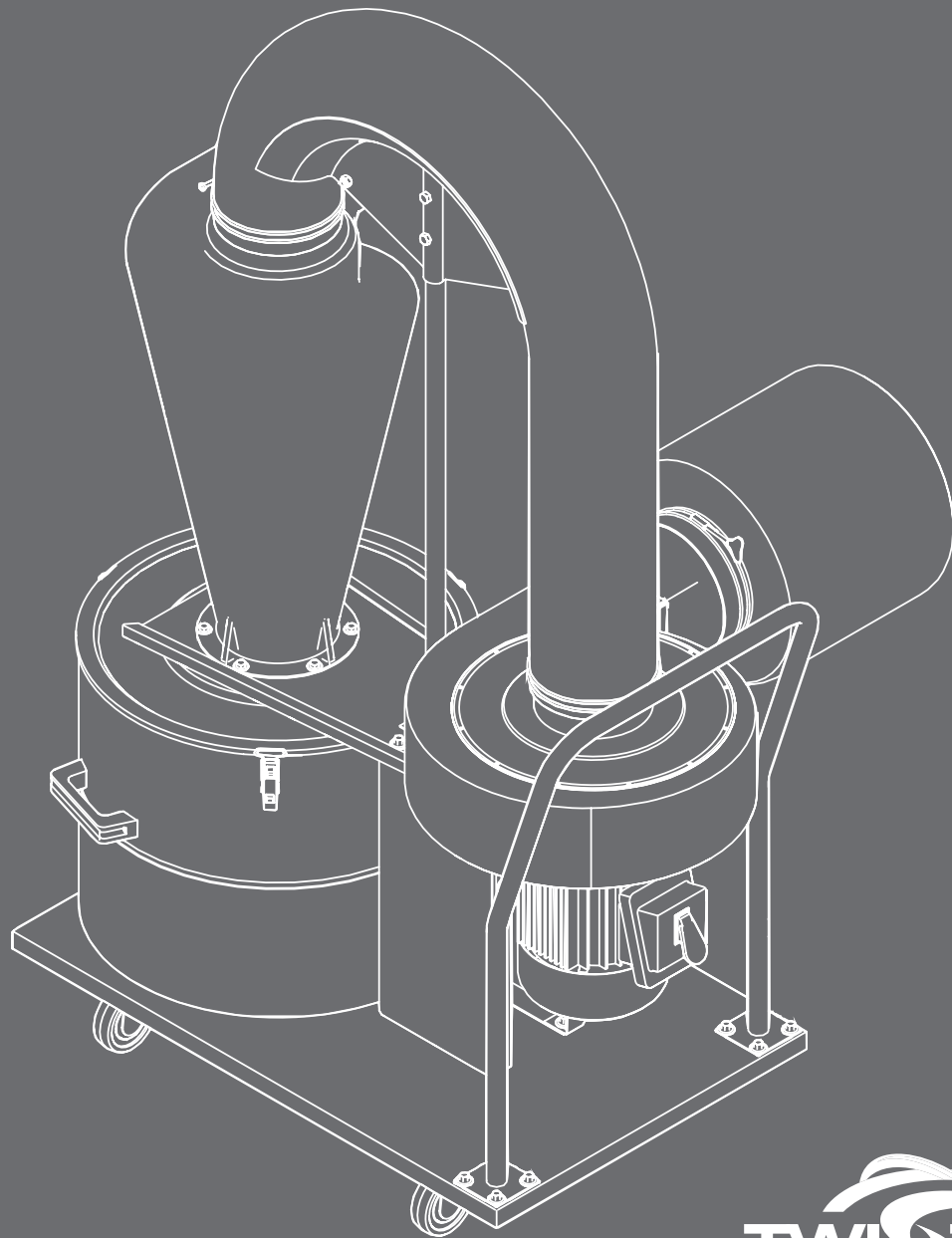


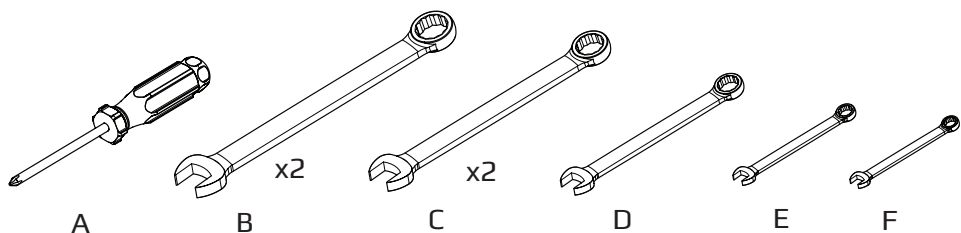
# Trim Saver

## Assembly Instructions

### CS-12 Manual

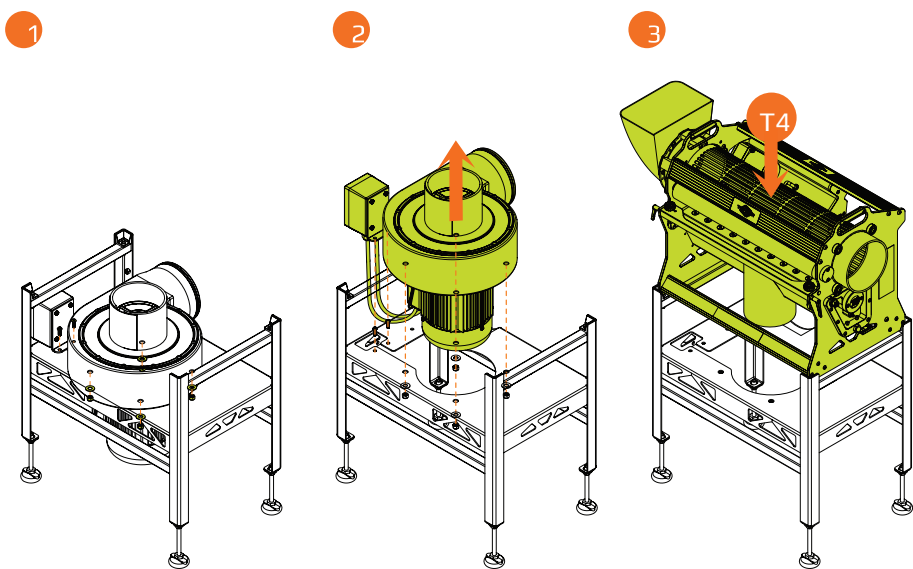


## TOOLS NEEDED



REF	DESCRIPTION	
A	Phillips Head Screw Driver	1
B	1/2 Inch Wrench	2
C	7/16 Inch Wrench	2
D	10 mm Wrench	1
E	8 mm Wrench	1
F	7 mm Wrench	1

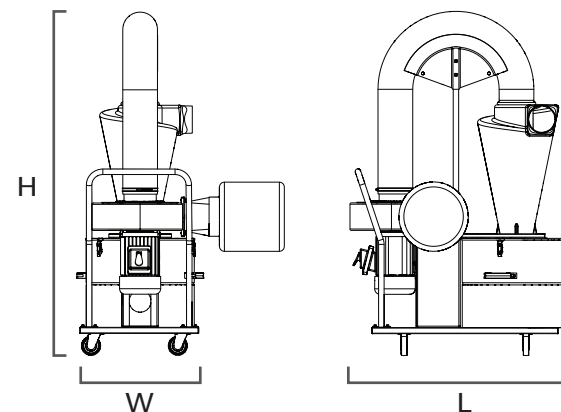
## TWISTER T4 LEAF TRIMMER VACUUM REMOVAL



1. Remove nuts and bolts from the underside of the vacuum and control box.
2. Remove vacuum and control box.
3. Place Twister T4 Leaf Trimmer on the Twister T4 Leaf Collector stand.
4. Connect the separator to the T4 with collector hose.

**NOTE:** Do not turn on the Separator without connecting to the T4.

## DIMENSIONS



	CS-12
Length	39in / 99cm
Width	22in / 55.8cm
Height	62in / 157.5cm

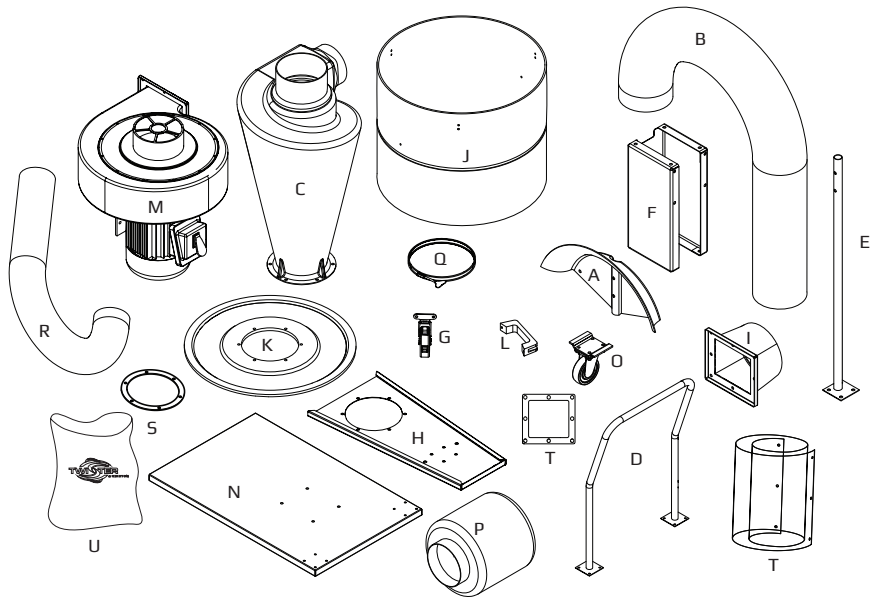
## ELECTRICAL SPECIFICATION

	CS-12
Motor	1.5 HP
Input Voltage	120V
Amps (running)	15A
Amps (startup)	47A
Power Cord	AWG 12-3
Weight	155lbs/78kg
Airflow Capacity	1190 CFM
Static Pressure	6.45in of H2O
Impeller	10in / 25.4cm
Inlet	5in / 12.7cm

	CS-12
Connector (plug)	NEMA 5-15P

Additional Requirements	
Extension Cord	12-3 AWG (minimum AWG size) 15m / 50ft max Length

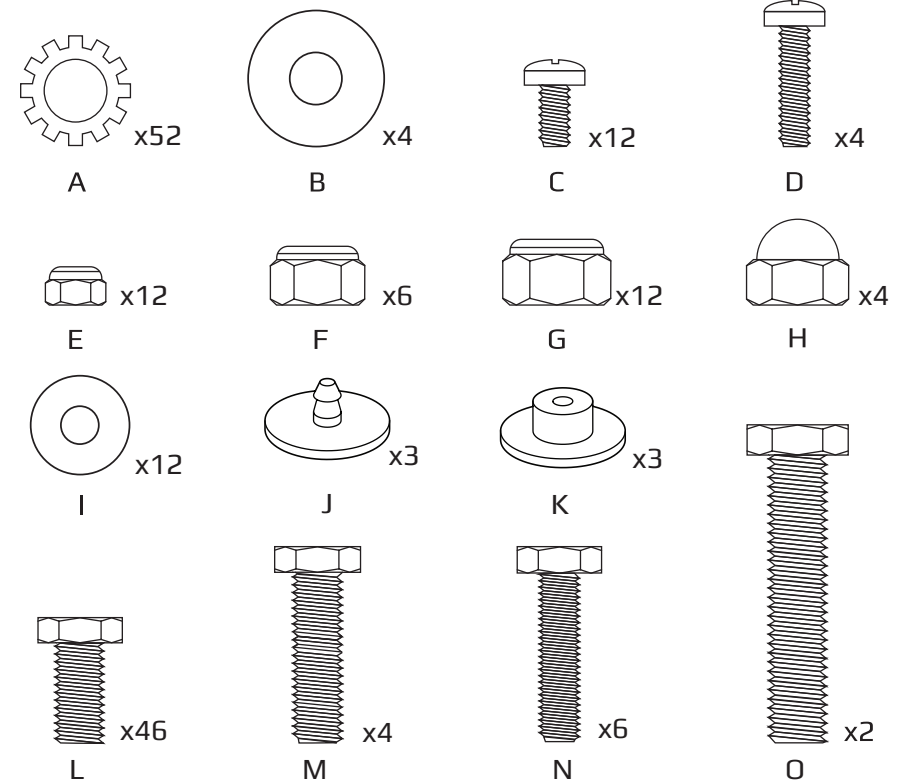
## COMPONENT PARTS



REF	PART NO	DESCRIPTION	QTY
A	23-0198-00	HOSE SADDLE	2
B	23-0199-00	6 INCH HOSE	1
C	23-0202-00	VACUUM SEPARATOR	1
D	23-0204-00	CART HANDLE	1
E	23-0205-00	SADDLE SUPPORT CS-12	1
F	23-0206-00	MOTOR SUPPORT	1
G	23-0207-00	LID LATCH	3
H	23-0208-00	LID HOLDER	1
I	23-0209-00	FILTER ADAPTER	1
J	23-0210-00	BIN	1
K	23-0211-00	BIN LID	1
L	23-0212-00	BIN HANDLE	2
M	23-0213-00	1.5HP VACUUM MOTOR	1
N	23-0215-00	BASE PLATE	1
O	23-0146-00	CASTER	4
P	23-0217-00	FILTER BAG	1
Q	23-0218-00	FILTER CLAMP	1
R	23-01-127675	5 INCH HOSE	1
S	23-0227-00	SEPARATOR GASKET	2
T	23-0228-00	BIN INSERT	1
U	23-0230-00	FILTER ADAPTER GASKET	1
V	23-0133-03-P	CLEAR VACUUM BAG	1

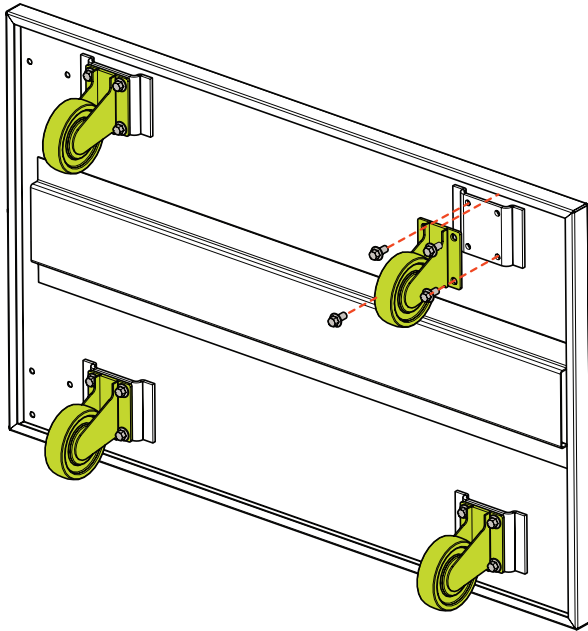
## FASTENERS

KEEP FASTENERS IN LABELLED BAGS, ASSEMBLY INSTRUCTIONS DESCRIBE WHERE EACH PACKAGE IS USED.



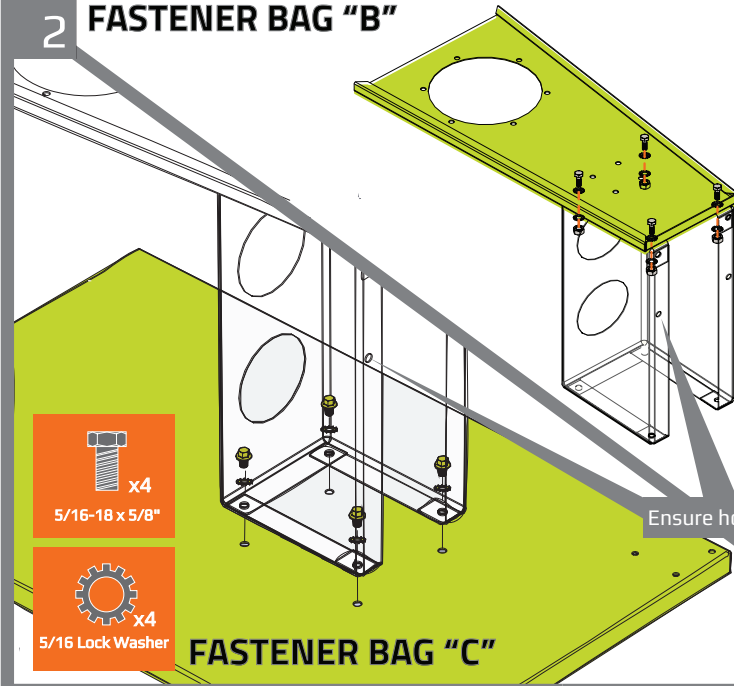
REF	PART NO	DESCRIPTION	QTY
A	13-02-000411	5/16 Lock Washer	52
B	13-0018-00	5/16 Flat Washer	4
C	13-05-100408	M4 x 8MM Phillips Head	12
D	13-05-142058	1/4-20 x 5/8" Truss Screw	4
E	13-03-000400	M4 Nyloc Nut	12
F	13-0062-00	1/4-20 Nut	6
G	13-0064-00	5/16-18 Nyloc Nut	12
H	13-0065-00	1/4-20 Acorn Nut	4
I	13-02-000014	1/4 Flat Washer	12
J	13-13-000205	Plastic Rivet Male	3
K	13-13-000206	Plastic Rivet Female	3
L	13-08-516158	5/16-18 x 5/8" Hex Head Bolt	46
M	13-08-516110	5/16-18 x 1" Hex Head Bolt	4
N	13-08-142110	1/4-20 x 1" Hex Head Bolt	6
O	13-08-516115	5/16-18 x 1.5" Hex Head Bolt	2

# 1 FASTENER BAG "A"



- x16  
5/16-18 x 5/8"
- x16  
5/16 Star Lock Washer

# 2 FASTENER BAG "B"



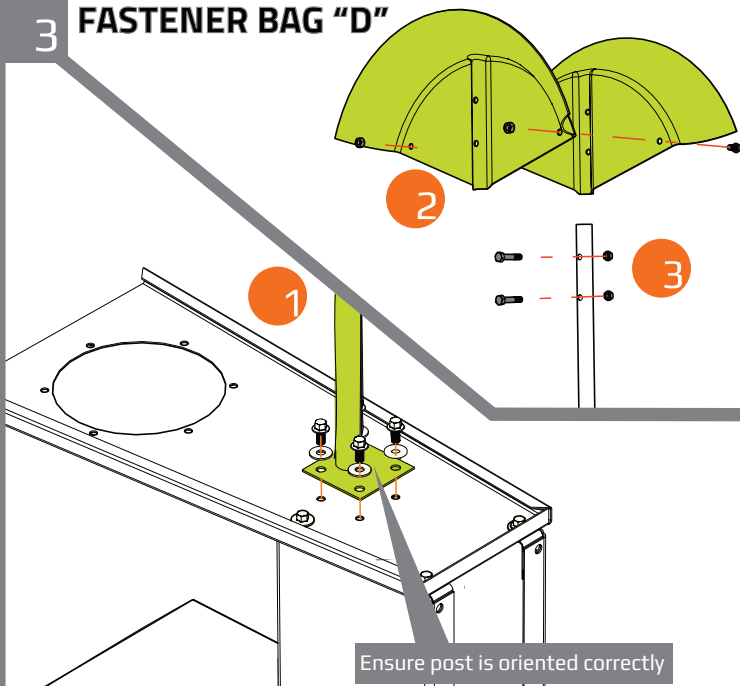
- x4  
5/16-18 x 5/8"
- x4  
5/16 Lock Washer

- x4  
5/16-18 x 5/8"
- x8  
5/16 Star Lock Washer
- x4  
5/16 Nyloc Nut

Ensure holes are on this side

# FASTENER BAG "C"

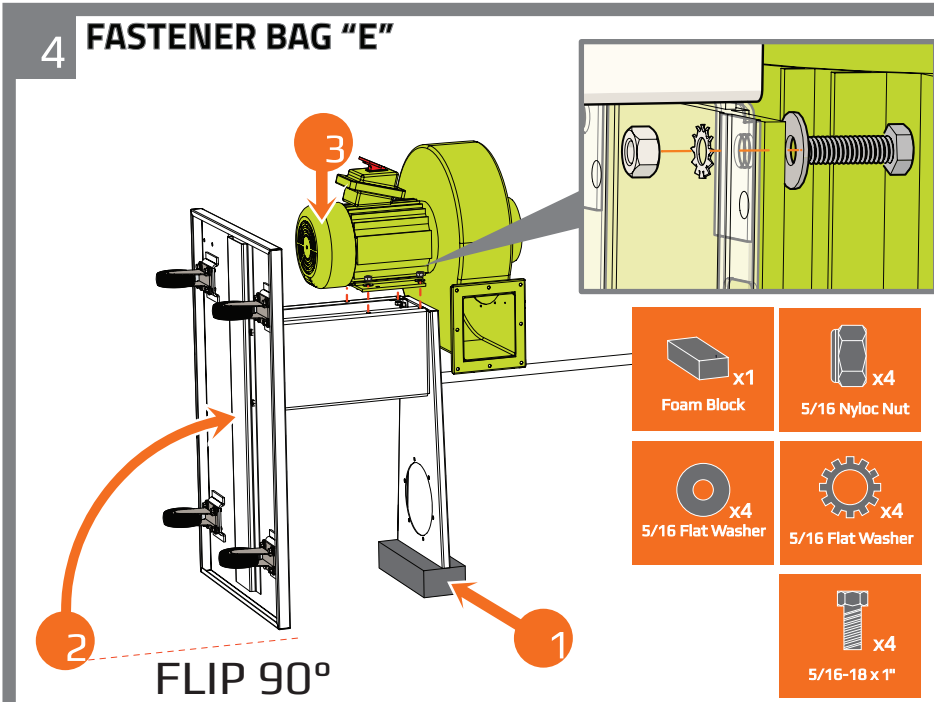
# 3 FASTENER BAG "D"



- x2  
5/16-18 x 5/8"
- x2  
5/16-1.5" Bolt
- x4  
5/16 Nyloc Nut
- x4  
5/16-18 x 5/8"
- x4  
5/16 Lock Washer

Ensure post is oriented correctly

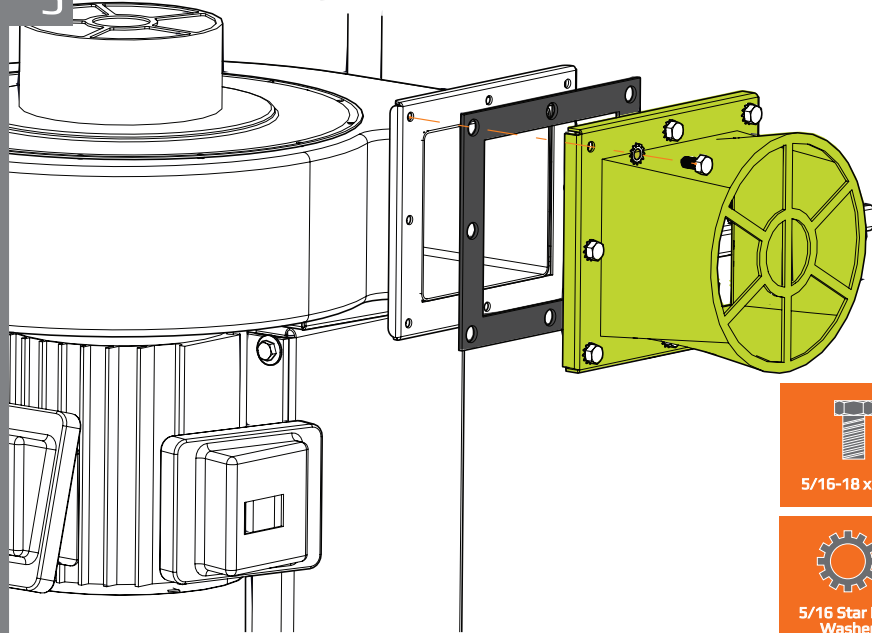
# 4 FASTENER BAG "E"





FLIP 90°

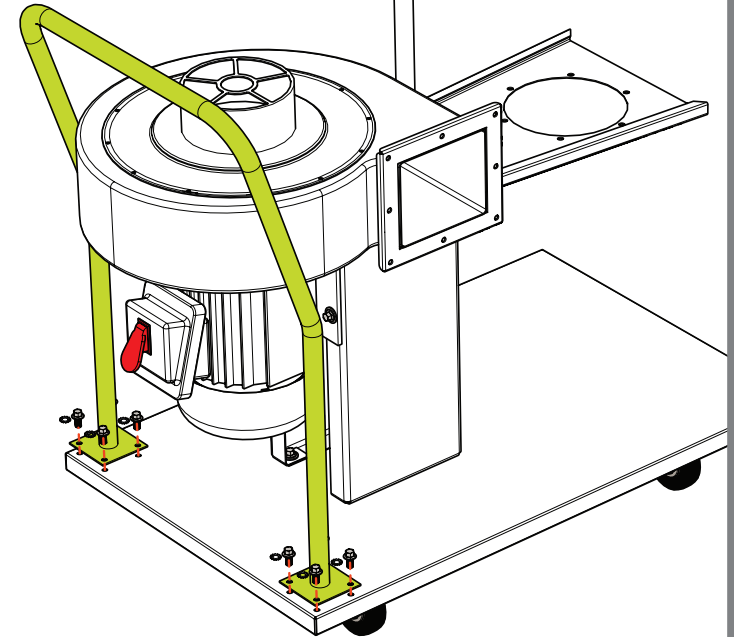
- x1  
Foam Block
- x4  
5/16 Nyloc Nut
- x4  
5/16 Flat Washer
- x4  
5/16 Flat Washer
- x4  
5/16-18 x 1"


### 5 FASTENER BAG "F"



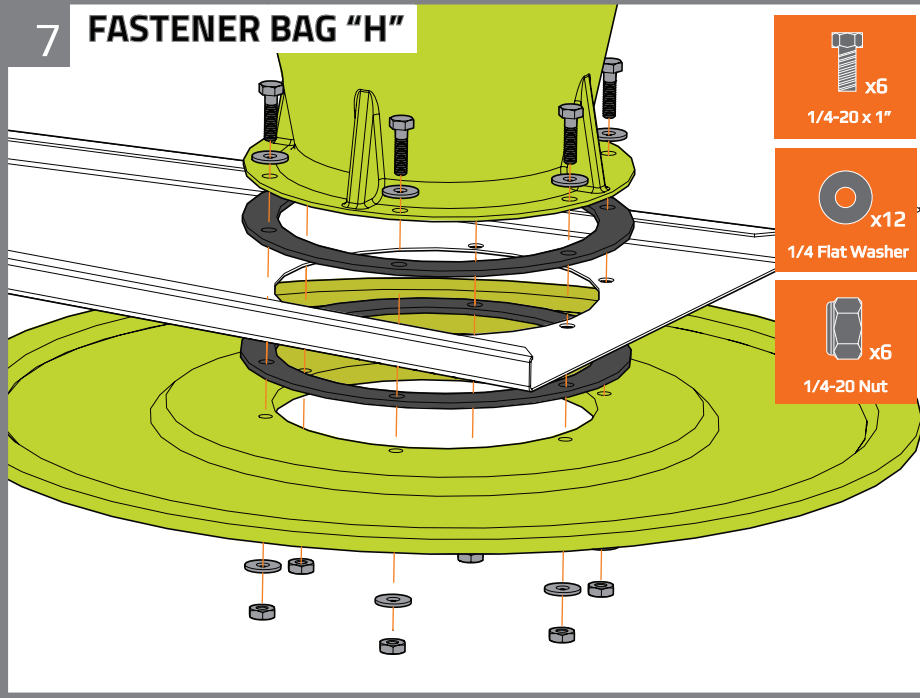
-  x8  
5/16-18 x 5/8"
-  x8  
5/16 Star Lock Washer

### 6 FASTENER BAG "G"



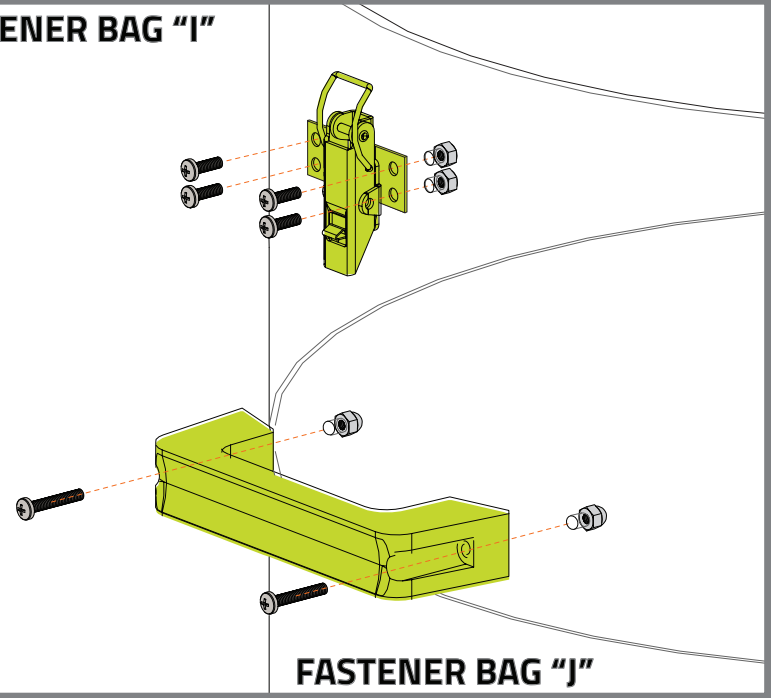
-  x8  
5/16-18 x 5/8"
-  x8  
5/16 Star Lock Washer


### 7 FASTENER BAG "H"



-  x6  
1/4-20 x 1"
-  x12  
1/4 Flat Washer
-  x6  
1/4-20 Nut

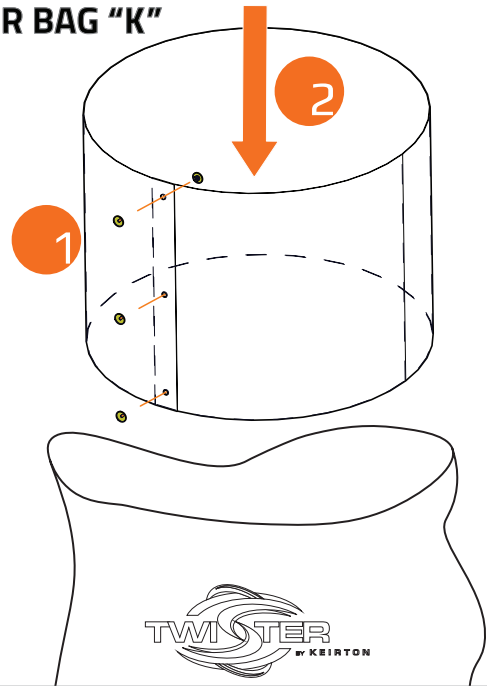
### 8 FASTENER BAG "I"



-  x12  
M4 Nyloc Nut
-  x12  
M4 8mm Phillips Screw
-  x4  
1/4 5/8" Truss Screw
-  x4  
1/4 Acorn Nut

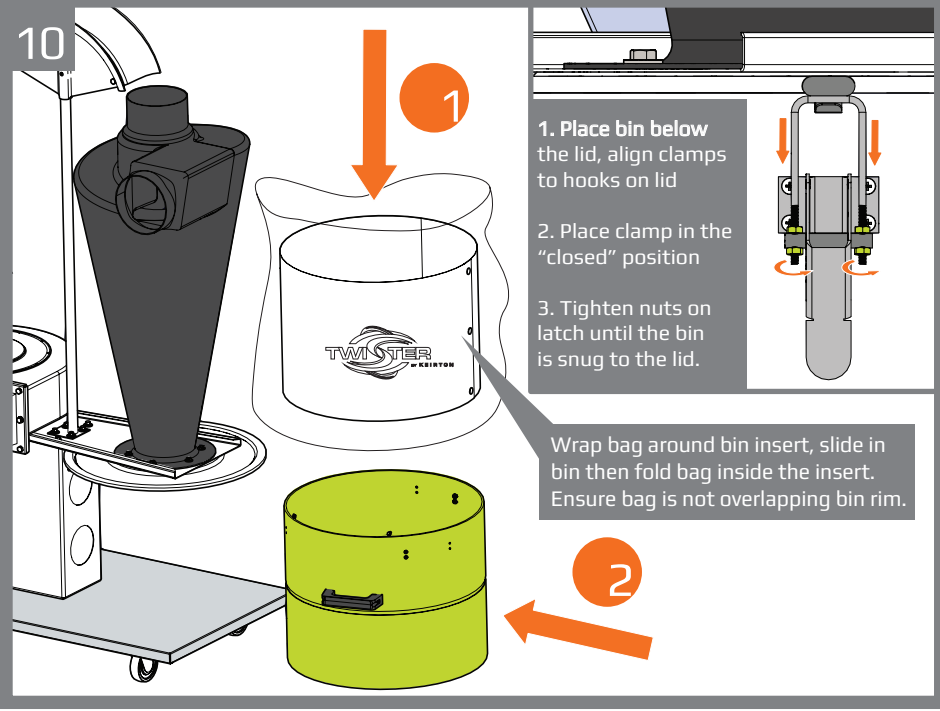
### FASTENER BAG "J"

9 FASTENER BAG "K"



-  x3  
MALE RIVET
-  x3  
FEMALE RIVET

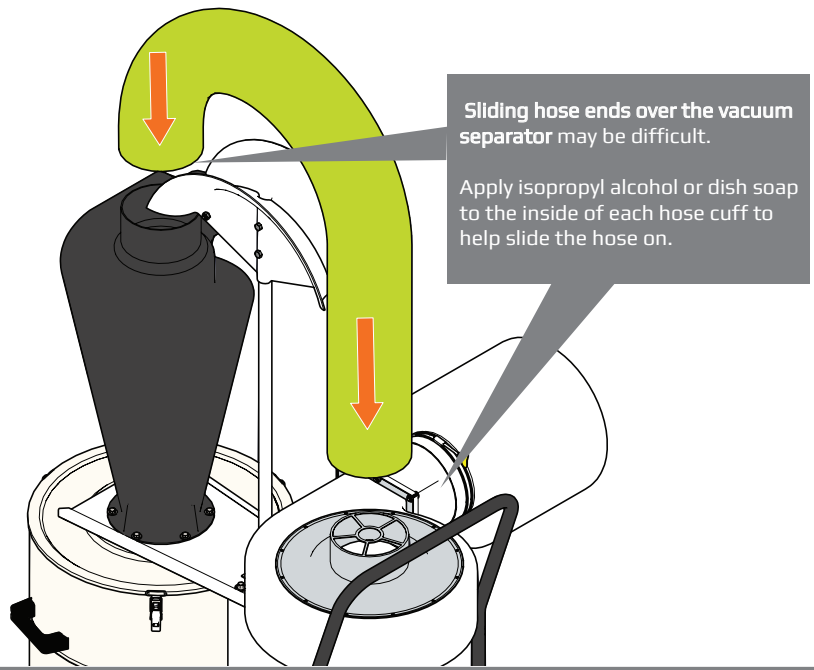
10



1. Place bin below the lid, align clamps to hooks on lid
2. Place clamp in the "closed" position
3. Tighten nuts on latch until the bin is snug to the lid.

Wrap bag around bin insert, slide in bin then fold bag inside the insert. Ensure bag is not overlapping bin rim.

11



Sliding hose ends over the vacuum separator may be difficult.

Apply isopropyl alcohol or dish soap to the inside of each hose cuff to help slide the hose on.

12

